

# Parts Catalogue

for model  
**NT 484 W TR - 484 W TRQ**

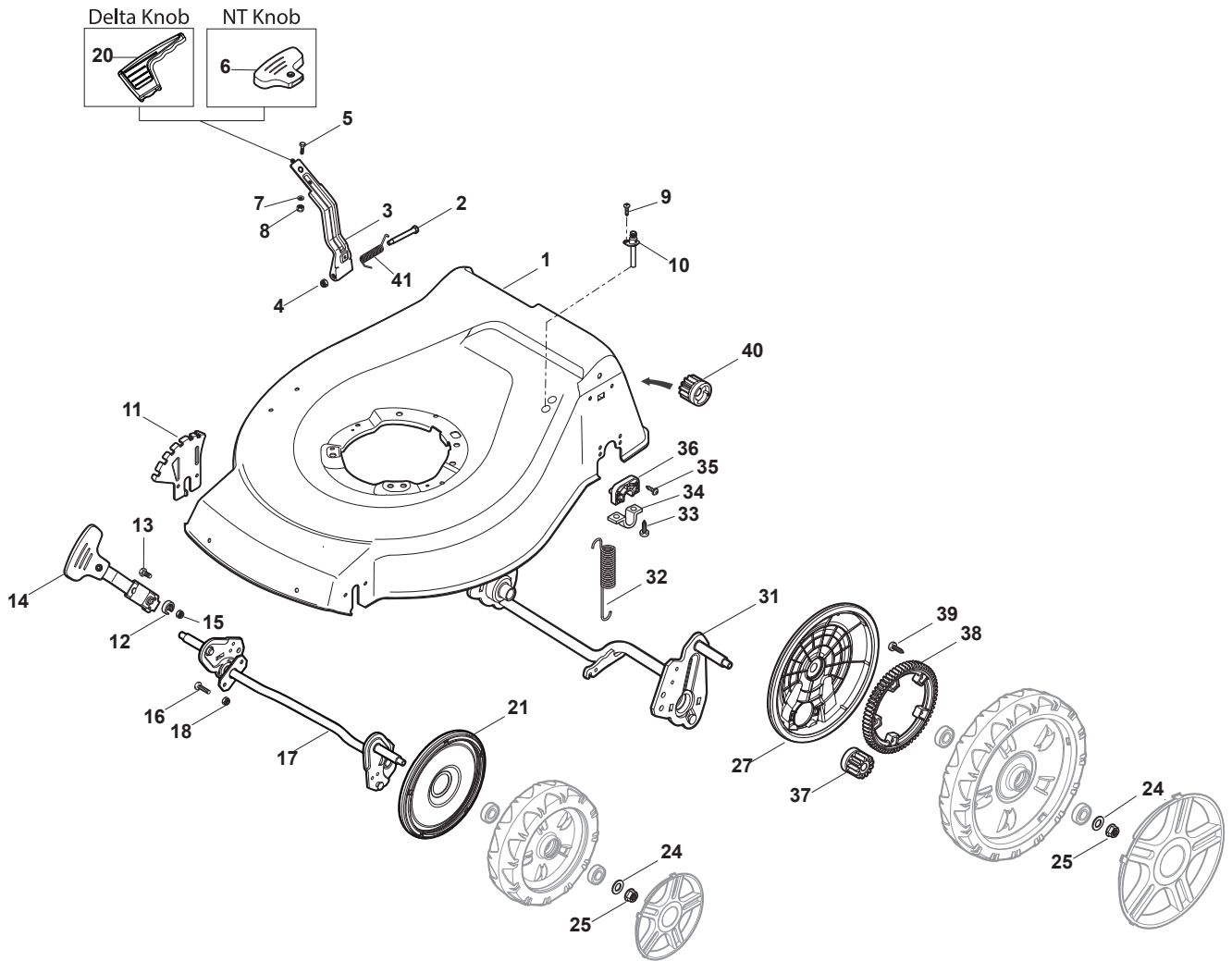
- Use GLOBAL GARDEN PRODUCT Genuine Spare Parts specified in the parts list for repair and/or replacement.
- The contents described in the parts list may change due to improvement.
- The drawings of the spare parts are only indicative and might not represent the part in question exactly.
- The indications "right" - "left" - "front" - "rear" refer to the position of the operator when using the machine.
- When placing orders of parts for repair and/or replacement, make sure that the illustrated parts list is the one applying to the machine's year of manufacture, as shown on the identification plate attached to the machine.

© Copyright 2015 Global Garden Products

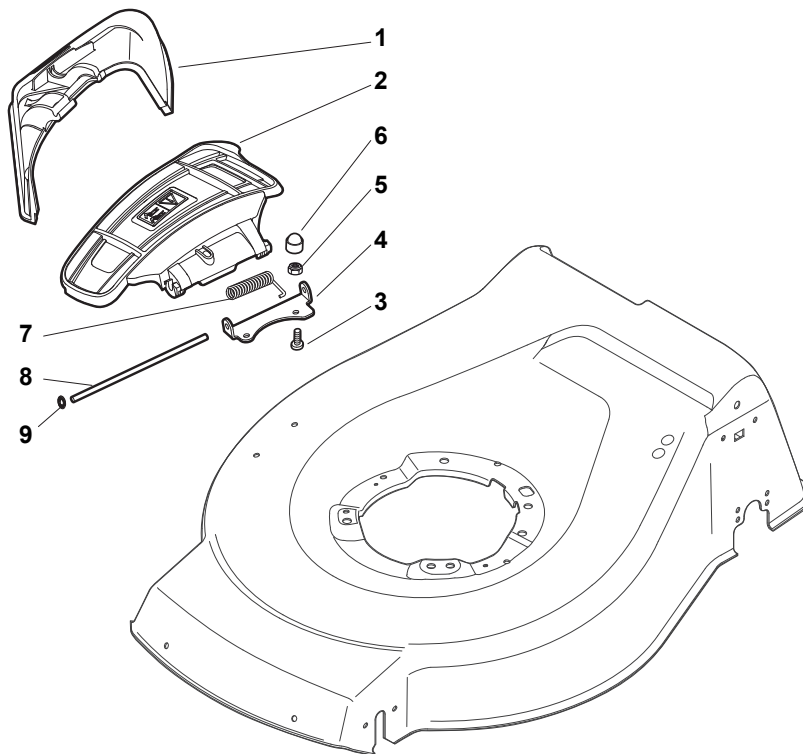
All content is subject to copyright by Global Garden Products and may not be reproduced in whole or in part by any means, electronic or otherwise, without prior written approval.

THIS INFORMATION IS NOT INTENDED FOR SALE OR RESALE, AND THIS NOTICE MUST REMAIN ON ALL COPIES.

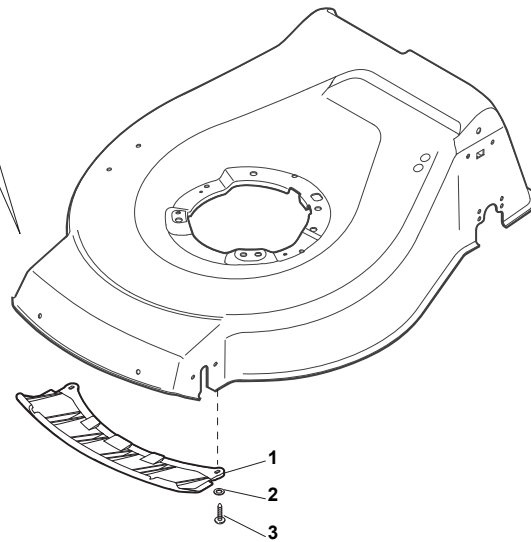
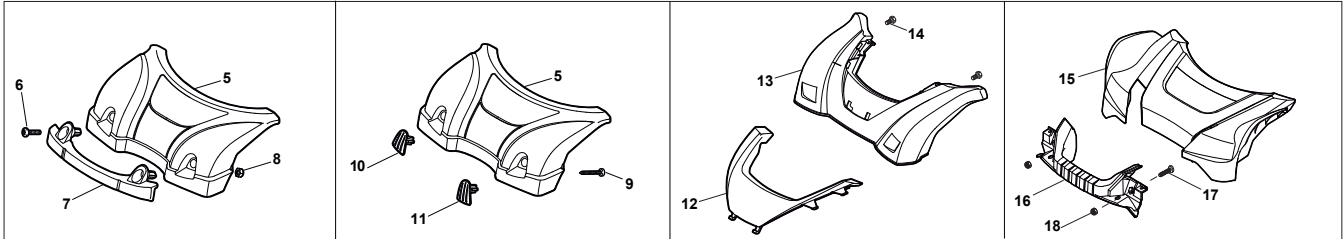




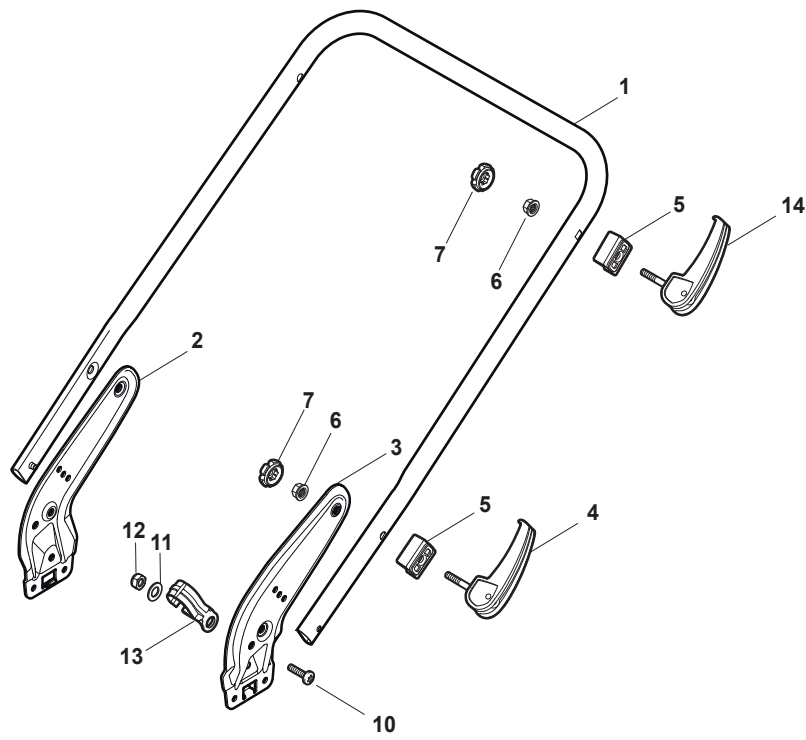
| Fig. | Quantity | Part No     | Description               | Notes          |
|------|----------|-------------|---------------------------|----------------|
| 20   | 1        | 322394522/0 | Knob                      | Delta Knob     |
| 1    | 1        | 381004536/0 | Red Deck                  |                |
| 1    | 1        | 381004538/0 | Red Deck                  | Side Discharge |
| 1    | 1        | 381004562/0 | Yellow Deck               |                |
| 1    | 1        | 381004731/0 | Grey Deck                 | Side Discharge |
| 1    | 1        | 381004741/0 | Grey Deck                 |                |
| 2    | 1        | 122534131/0 | Pin                       |                |
| 3    | 1        | 381003398/0 | Lever, Height Adjustment  |                |
| 4    | 1        | 112154510/0 | Nut                       |                |
| 5    | 1        | 112788512/0 | Screw                     |                |
| 6    | 1        | 322394503/0 | Knob                      | NT Knob        |
| 7    | 1        | 112521310/0 | Washer                    |                |
| 8    | 1        | 112150000/0 | Nut                       |                |
| 9    | 1        | 112728450/0 | Screw                     |                |
| 10   | 1        | 322034002/0 | Washing Connection        |                |
| 11   | 1        | 322735589/0 | Sector, Height Adjustment |                |
| 12   | 2        | 122171002/0 | Spacer                    |                |
| 13   | 2        | 112789000/0 | Screw                     |                |
| 14   | 1        | 381003351/0 | Wheels Adjusting Lever    |                |
| 15   | 2        | 112154330/0 | Nut                       |                |
| 16   | 4        | 112727803/0 | Screw                     |                |
| 17   | 1        | 381002881/1 | Front Wheel Axle          |                |
| 18   | 4        | 112154510/0 | Nut                       |                |
| 21   | 2        | 322600145/0 | Protection, Wheel         |                |
| 24   | 4        | 112521350/0 | Washer                    |                |
| 25   | 4        | 112155000/0 | Nut                       |                |
| 27   | 2        | 322600208/0 | Protection, Wheel         |                |
| 31   | 1        | 381302835/1 | Axle, Rear Wheels         |                |
| 32   | 1        | 122450460/0 | Spring                    |                |
| 33   | 4        | 112728697/0 | Screw                     |                |
| 34   | 2        | 322545152/0 | Plate                     |                |
| 35   | 4        | 112728697/0 | Screw                     |                |
| 36   | 2        | 322785304/1 | Support                   |                |
| 37   | 1        | 122570134/0 | Left Pinion               |                |
| 38   | 2        | 322120115/0 | Wheels Crown              |                |
| 39   | 6        | 112728706/0 | Screw                     |                |
| 40   | 1        | 122570133/0 | Right Pinion              |                |
| 41   | 1        | 122446192/0 | Spring                    |                |



| Fig. | Quantity | Part No     | Description            | Notes |
|------|----------|-------------|------------------------|-------|
| 1    | 1        | 322108295/1 | Side Ejection Conveyor |       |
| 2    | 1        | 322600313/0 | Ejection Guard         |       |
| 3    | 2        | 112727803/0 | Screw                  |       |
| 4    | 1        | 322806639/0 | Fulcrum Pin            |       |
| 5    | 2        | 112154510/0 | Nut                    |       |
| 6    | 2        | 118203853/0 | Screw                  |       |
| 7    | 1        | 122450456/0 | Spring                 |       |
| 8    | 1        | 122517869/1 | Pin                    |       |
| 9    | 2        | 112604896/0 | Crown Fastener         |       |

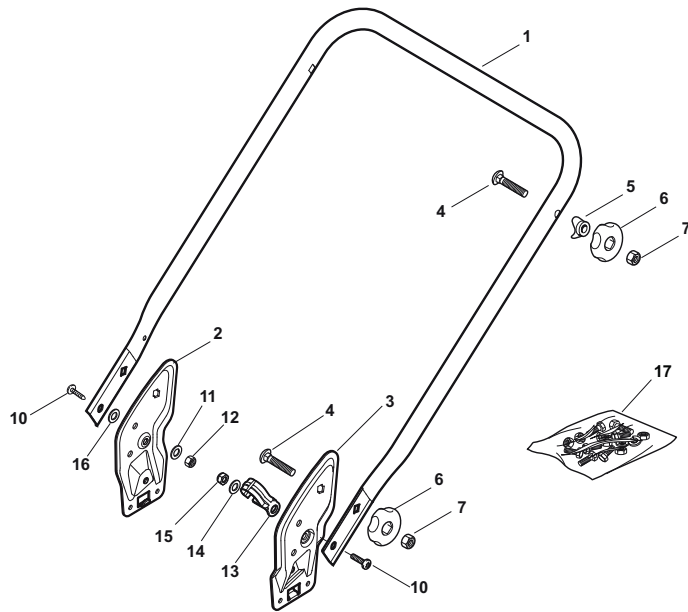


| Fig. | Quantity | Part No     | Description      | Notes           |
|------|----------|-------------|------------------|-----------------|
| 1    | 1        | 322500102/0 | Front Combi      |                 |
| 2    | 2        | 112523000/1 | Washer           |                 |
| 3    | 2        | 112728124/0 | Screw            |                 |
| 5    | 1        | 322226143/0 | Mask, Red        |                 |
| 5    | 1        | 322226144/0 | Mask, Yellow     | with Stiga Logo |
| 5    | 1        | 322226151/0 | Mask, Black      | with Stiga Logo |
| 5    | 1        | 322226153/0 | Mask, Black      |                 |
| 5    | 1        | 322226155/0 | Mask, Yellow     |                 |
| 6    | 2        | 112727799/0 | Screw            |                 |
| 7    | 1        | 322393638/0 | Handlegrip Black |                 |
| 7    | 1        | 322393639/0 | Handle, Grey     |                 |
| 7    | 1        | 322393640/0 | Handle, Yellow   |                 |
| 8    | 2        | 112154510/0 | Nut              |                 |
| 9    | 2        | 112728697/0 | Screw            |                 |
| 10   | 1        | 322820082/0 | Cap              |                 |
| 11   | 1        | 322820083/0 | Cap              |                 |
| 12   | 1        | 322226167/0 | Front Plate      |                 |
| 13   | 1        | 322226165/0 | Mask, Black      |                 |
| 14   | 2        | 112728300/0 | Screw            |                 |
| 15   | 1        | 322226157/0 | Mask, Black      |                 |
| 16   | 1        | 322393642/0 | Bumper Handle    |                 |
| 17   | 2        | 112727799/0 | Screw            |                 |
| 18   | 2        | 112154510/0 | Nut              |                 |





| Fig. | Quantity | Part No     | Description               | Notes      |
|------|----------|-------------|---------------------------|------------|
| 1    | 1        | 381006719/0 | Handle Lower Part         | Black      |
| 1    | 1        | 381006720/0 | Handle Lower Part         | Grey       |
| 1    | 1        | 381007539/0 | Handle, Lower Part Yellow | Yellow     |
| 2    | 1        | 381005149/0 | Right Bracket             | Black      |
| 2    | 1        | 381005185/0 | Right Bracket             | Stiga Grey |
| 3    | 1        | 381005151/0 | Left Bracket              | Black      |
| 3    | 1        | 381005187/0 | Left Bracket              | Stiga Grey |
| 4    | 4        | 381003253/0 | Handle                    |            |
| 5    | 4        | 322680016/0 | Washer                    |            |
| 6    | 4        | 122131750/0 | Nut                       |            |
| 7    | 4        | 322399835/0 | Knob                      |            |
| 10   | 2        | 112760605/0 | Screw                     |            |
| 11   | 2        | 125038002/1 | Bushing                   |            |
| 12   | 2        | 112155000/0 | Nut                       |            |
| 13   | 1        | 322192156/0 | Clip                      |            |
| 14   | 2        | 381103350/0 | Handle                    |            |

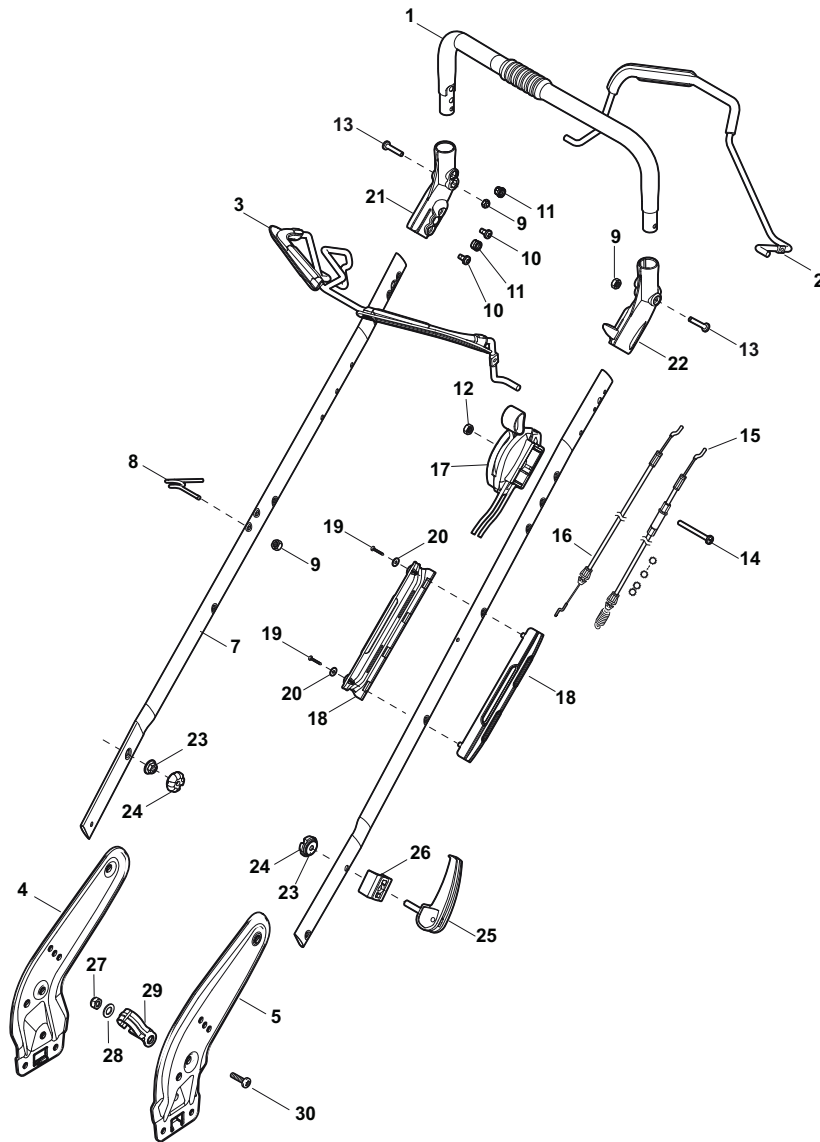


# NT 484 W TR - 484 W TRQ

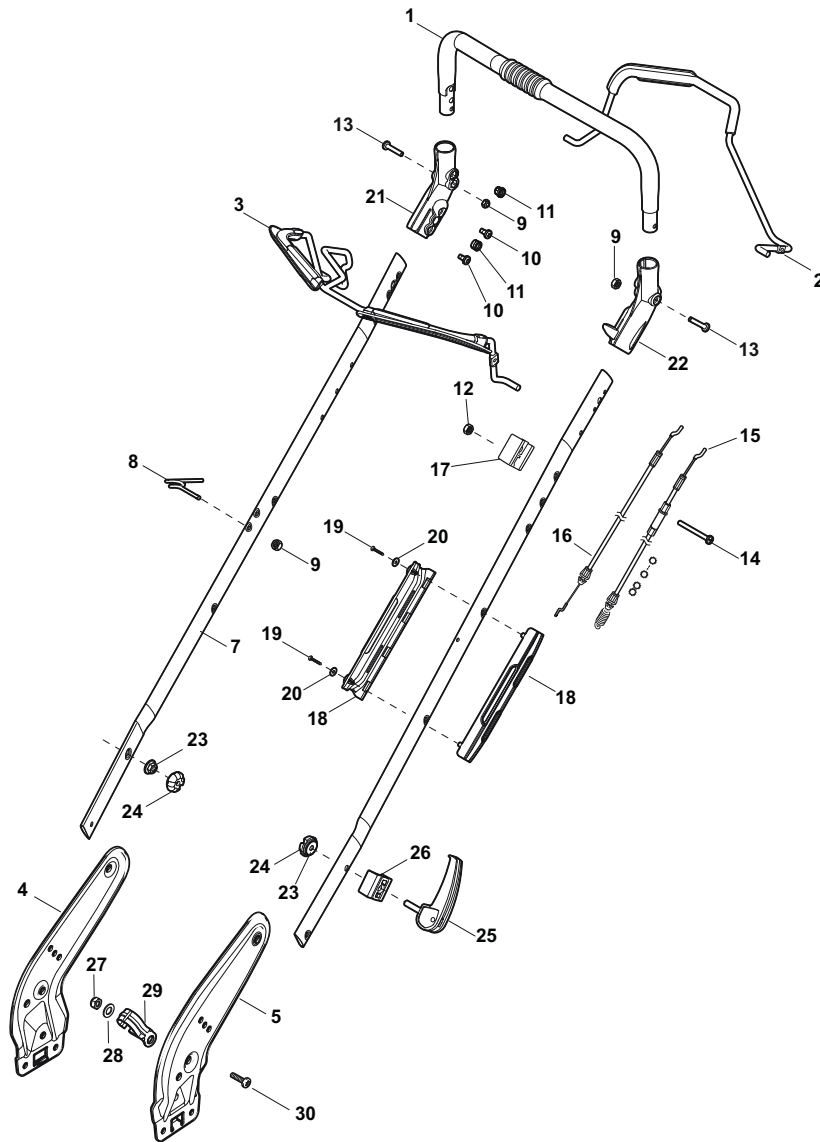
WBH Petrol Steel Handle, Lower Part

Issue 9 - 2015

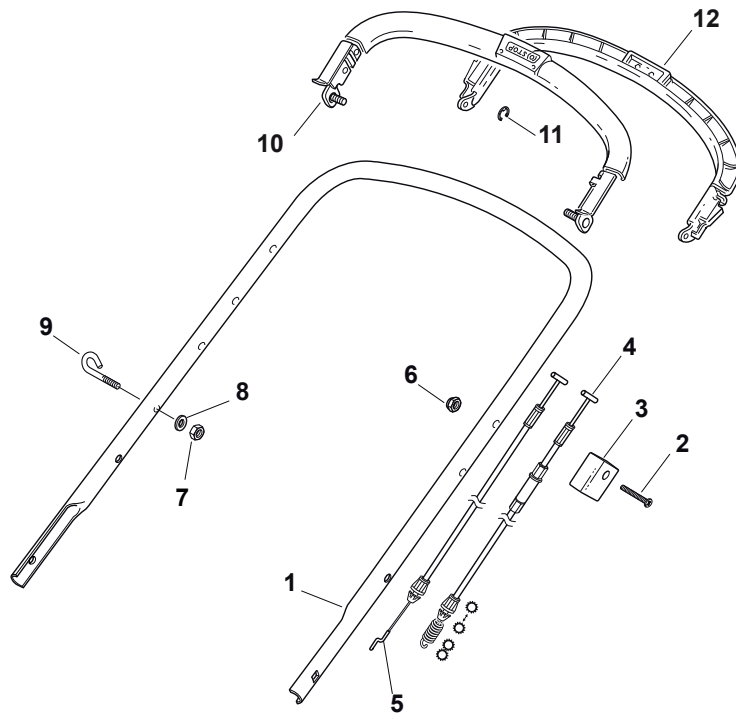
| Fig. | Quantity | Part No     | Description       | Notes |
|------|----------|-------------|-------------------|-------|
| 1    | 1        | 381007043/0 | Handle Lower Part |       |
| 2    | 1        | 381005133/0 | Right Bracket     |       |
| 3    | 1        | 381005135/0 | Left Bracket      |       |
| 4    | 1        | 112819120/0 | Screw             |       |
| 5    | 4        | 122680006/1 | Washer            |       |
| 6    | 4        | 322399804/1 | Nut               |       |
| 7    | 4        | 112293200/0 | Nut               |       |
| 10   | 4        | 112760605/0 | Screw             |       |
| 11   | 1        | 125038002/1 | Bushing           |       |
| 12   | 2        | 112155000/0 | Nut               |       |
| 13   | 2        | 322192156/0 | Clip              |       |
| 14   | 1        | 112523040/0 | Washer            |       |
| 15   | 1        | 112154510/0 | Nut               |       |
| 16   | 1        | 112369500/0 | Elastic Washer    |       |



| Fig. | Quantity | Part No     | Description                | Notes                      |
|------|----------|-------------|----------------------------|----------------------------|
| 1    | 1        | 381006670/2 | Handle Tube                |                            |
| 2    | 1        | 381003349/0 | Lever, Driving             |                            |
| 3    | 1        | 381003472/0 | Lever, Engine Brake        | Black                      |
| 3    | 1        | 381003344/0 | Lever, Engine Brake        | Red                        |
| 4    | 1        | 381005149/0 | Right Bracket              | Black                      |
| 4    | 1        | 381005185/0 | Right Bracket              | Stiga Grey                 |
| 5    | 1        | 381005151/0 | Left Bracket               | Black                      |
| 5    | 1        | 381005187/0 | Left Bracket               | Stiga Grey                 |
| 7    | 2        | 381006773/1 | Handle Black               |                            |
| 7    | 2        | 381006774/1 | Handle Grey                |                            |
| 8    | 1        | 122430309/0 | Spring                     |                            |
| 9    | 2        | 112154330/0 | Nut                        |                            |
| 10   | 4        | 112735662/1 | Screw                      |                            |
| 11   | 4        | 322041967/1 | Bushing                    |                            |
| 12   | 3        | 112154510/0 | Nut                        |                            |
| 13   | 2        | 112728721/0 | Screw                      |                            |
| 14   | 1        | 112727786/0 | Screw                      |                            |
| 15   | 1        | 381030093/1 | Cable Rear Drive           |                            |
| 16   | 1        | 181030073/0 | Cable, Thread Engine Brake |                            |
| 17   | 1        | 181005516/0 | Throttle Cable             | for B&S Engine             |
| 17   | 1        | 181005514/0 | Throttle Cable             | for Honda and GGP Engine   |
| 17   | 1        | 181005515/0 | Throttle Cable             | for Honda Autochoke Engine |
| 18   | 1        | 322806644/0 | Protection                 |                            |
| 19   | 2        | 112727812/0 | Screw                      |                            |
| 20   | 2        | 112523000/1 | Washer                     |                            |
| 21   | 1        | 322488301/0 | Joint Sleeve Grey Right    |                            |
| 22   | 1        | 322488303/0 | Joining Sleeve Grey Left   |                            |
| 23   | 2        | 112154220/0 | Nut                        |                            |
| 24   | 2        | 322399835/0 | Knob                       |                            |
| 25   | 2        | 381003253/0 | Handle                     |                            |
| 26   | 2        | 322680017/0 | Washer                     |                            |
| 27   | 1        | 112155000/0 | Nut                        |                            |
| 28   | 1        | 125038002/1 | Bushing                    |                            |
| 29   | 1        | 322192156/0 | Clip                       |                            |
| 30   | 1        | 112760605/0 | Screw                      |                            |



| Fig. | Quantity | Part No     | Description                | Notes      |
|------|----------|-------------|----------------------------|------------|
| 1    | 1        | 381006670/2 | Handle Tube                |            |
| 2    | 1        | 381003349/0 | Lever, Driving             |            |
| 3    | 1        | 381003472/0 | Lever, Engine Brake        | Black      |
| 3    | 1        | 381003344/0 | Lever, Engine Brake        | Red        |
| 4    | 1        | 381005149/0 | Right Bracket              | Black      |
| 4    | 1        | 381005185/0 | Right Bracket              | Stiga Grey |
| 5    | 1        | 381005151/0 | Left Bracket               | Black      |
| 5    | 1        | 381005187/0 | Left Bracket               | Stiga Grey |
| 7    | 2        | 381006773/1 | Handle Black               |            |
| 7    | 2        | 381006774/1 | Handle Grey                |            |
| 8    | 1        | 122430309/0 | Spring                     |            |
| 9    | 2        | 112154330/0 | Nut                        |            |
| 10   | 4        | 112735662/1 | Screw                      |            |
| 11   | 4        | 322041967/1 | Bushing                    |            |
| 12   | 3        | 112154510/0 | Nut                        |            |
| 13   | 2        | 112728721/0 | Screw                      |            |
| 14   | 1        | 112727784/0 | Screw                      |            |
| 15   | 1        | 381030097/0 | Cable Rear Drive           |            |
| 16   | 1        | 181030099/0 | Cable, Thread Engine Brake |            |
| 17   | 1        | 322551639/0 | Fixed Plate                |            |
| 18   | 1        | 322806644/0 | Protection                 |            |
| 19   | 2        | 112727812/0 | Screw                      |            |
| 20   | 2        | 112523000/1 | Washer                     |            |
| 21   | 1        | 322488301/0 | Joint Sleeve Grey Right    |            |
| 22   | 1        | 322488303/0 | Joining Sleeve Grey Left   |            |
| 23   | 2        | 112154220/0 | Nut                        |            |
| 24   | 2        | 322399835/0 | Knob                       |            |
| 25   | 2        | 381003253/0 | Handle                     |            |
| 26   | 2        | 322680017/0 | Washer                     |            |
| 27   | 1        | 112155000/0 | Nut                        |            |
| 28   | 1        | 125038002/1 | Bushing                    |            |
| 29   | 1        | 322192156/0 | Clip                       |            |
| 30   | 1        | 112760605/0 | Screw                      |            |



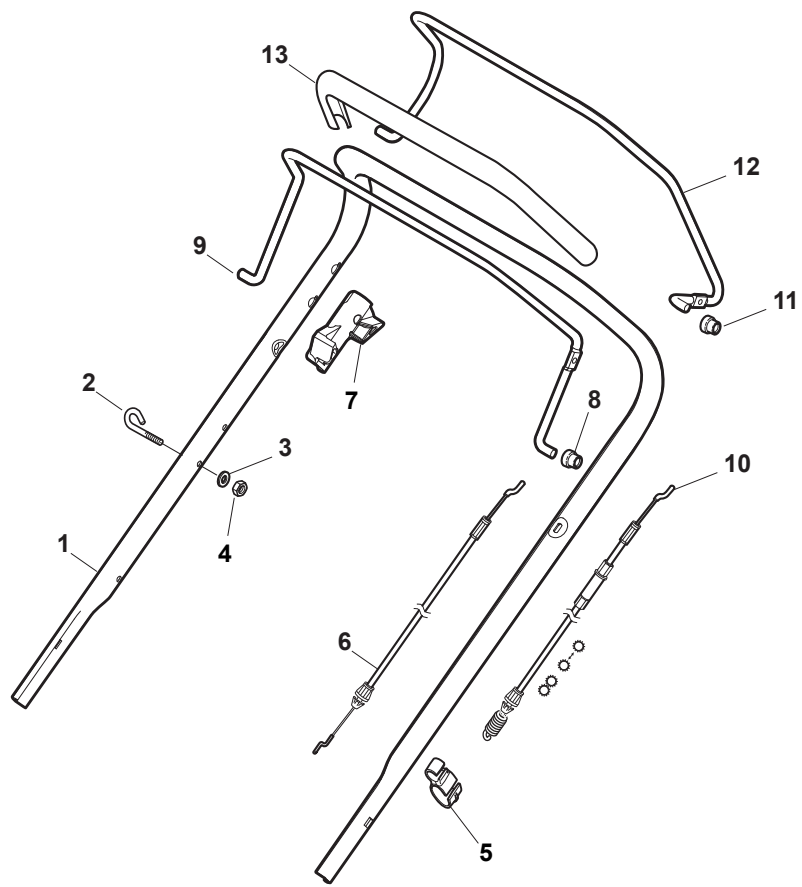


# NT 484 W TR - 484 W TRQ

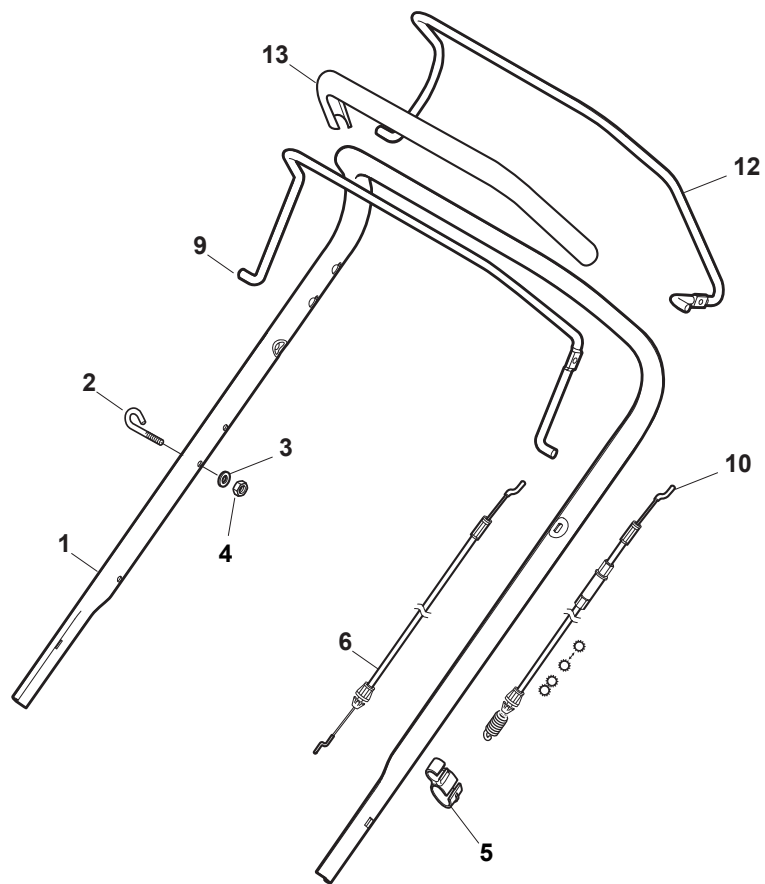
WBH Petrol Steel Handle, Upper Part

Issue 9 - 2015

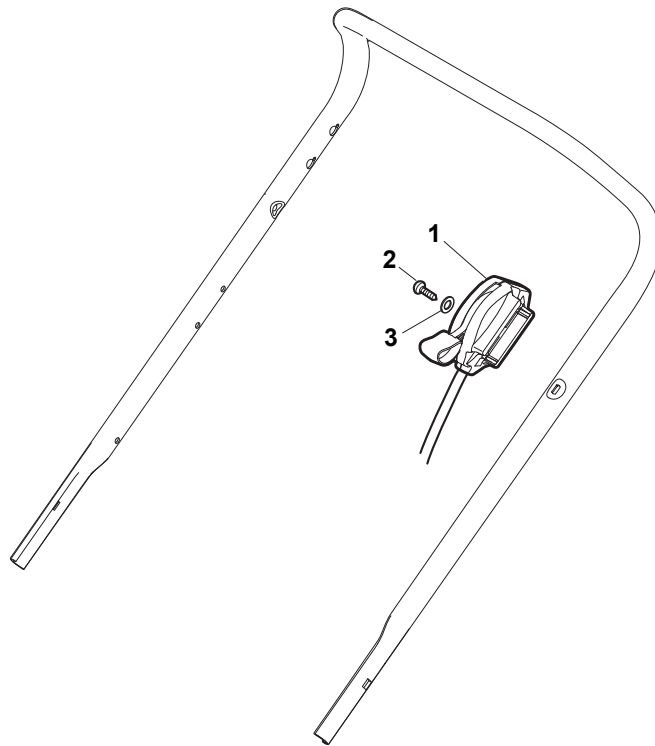
| Fig. | Quantity | Part No     | Description                | Notes                     |
|------|----------|-------------|----------------------------|---------------------------|
| 4    | 1        | 381030055/0 | Cable Rear Drive           |                           |
| 1    | 1        | 381006803/0 | Handle, Upper Part         | Black                     |
| 1    | 1        | 381006805/0 | Upper Handle Grey          | Grey                      |
| 2    | 1        | 112727787/0 | Screw                      |                           |
| 3    | 1        | 322551640/0 | Plate                      |                           |
| 5    | 1        | 181030056/0 | Cable, Thread Engine Brake | Honda / B&S / GGP Engine  |
| 5    | 1        | 181030057/0 | Cable, Thread Engine Brake | SV40 / RV 40 / V35 Engine |
| 6    | 1        | 112154510/0 | Nut                        |                           |
| 7    | 1        | 112154510/0 | Nut                        |                           |
| 8    | 1        | 112521330/0 | Washer                     |                           |
| 9    | 1        | 122430313/0 | Guide Spring               |                           |
| 10   | 1        | 381003330/0 | Lever, Engine Brake        |                           |
| 11   | 1        | 381003297/1 | Driving Lever              |                           |
| 12   | 1        | 112000930/0 | Benzing Ring               |                           |



| Fig. | Quantity | Part No     | Description                | Notes   |
|------|----------|-------------|----------------------------|---|
| 1    | 1        | 381006838/0 | Handle, Upper Part Black   | for Delta Dashboard - Fix RPM - Throttle            |
| 1    | 1        | 381007522/0 | Handle, Upper Part Black   | for TD-CA Dashboard                                 |
| 1    | 1        | 381007525/0 | Handle, Upper Part Grey    | for TD-CA Dashboard                                 |
| 1    | 1        | 381007540/0 | Handle, Upper Part Yellow  | for Delta Dashboard - Fix RPM - Throttle            |
| 2    | 1        | 122430313/0 | Guide Spring               |   |
| 3    | 1        | 112521330/0 | Washer                     |   |
| 4    | 1        | 112154510/0 | Nut                        |   |
| 5    | 1        | 118390020/0 | Conduit Clip Caproeurope   |   |
| 6    | 1        | 181030053/0 | Cable, Thread Engine Brake | GGP Engine / B&S 450-500-550-575-625-675-750 Series |
| 6    | 1        | 181030054/0 | Cable, Thread Engine Brake | SV40 / RV 40 / V35 Engine                           |
| 6    | 1        | 181030056/0 | Cable, Thread Engine Brake | B&S 450-500-550-575-625E Series                     |
| 6    | 1        | 181030070/0 | Cable, Thread Engine Brake | Honda Engine  |
| 7    | 1        | 322545204/0 | Fulcrum Pin                |   |
| 8    | 1        | 122041966/0 | Bushing                    |   |
| 9    | 1        | 181003300/1 | Lever, Engine Brake Black  |   |
| 10   | 1        | 381030092/1 | Cable Rear Drive           |   |
| 11   | 1        | 122041966/0 | Bushing                    |   |
| 12   | 1        | 181003301/0 | Drive Control Lever        |   |
| 13   | 1        | 122291050/0 | Handgrip Black             |   |



| Fig. | Quantity | Part No     | Description                | Notes   |
|------|----------|-------------|----------------------------|---|
| 1    | 1        | 381006840/0 | Handle, Upper Part         | for Delta Dashboard - Fix RPM - Throttle            |
| 1    | 1        | 381007520/0 | Handle, Upper Part         | for TD-CA Dashboard                                 |
| 2    | 1        | 122430313/0 | Guide Spring               |   |
| 3    | 1        | 112521330/0 | Washer                     |   |
| 4    | 1        | 112154510/0 | Nut                        |   |
| 5    | 1        | 118390020/0 | Conduit Clip Caproeuope    |   |
| 6    | 1        | 181030053/0 | Cable, Thread Engine Brake | GGP Engine / B&S 450-500-550-575-625-675-750 Series |
| 6    | 1        | 181030054/0 | Cable, Thread Engine Brake | SV40 / RV 40 / V35 Engine                           |
| 6    | 1        | 181030056/0 | Cable, Thread Engine Brake | B&S 450-500-550-575 Series                          |
| 6    | 1        | 181030070/0 | Cable, Thread Engine Brake | Honda Engine  |
| 9    | 1        | 181003363/1 | Lever, Engine Brake Black  |   |
| 10   | 1        | 381030092/1 | Cable Rear Drive           |   |
| 12   | 1        | 181003364/0 | Drive Control Lever        |   |
| 13   | 1        | 122291050/0 | Handgrip Black             |   |

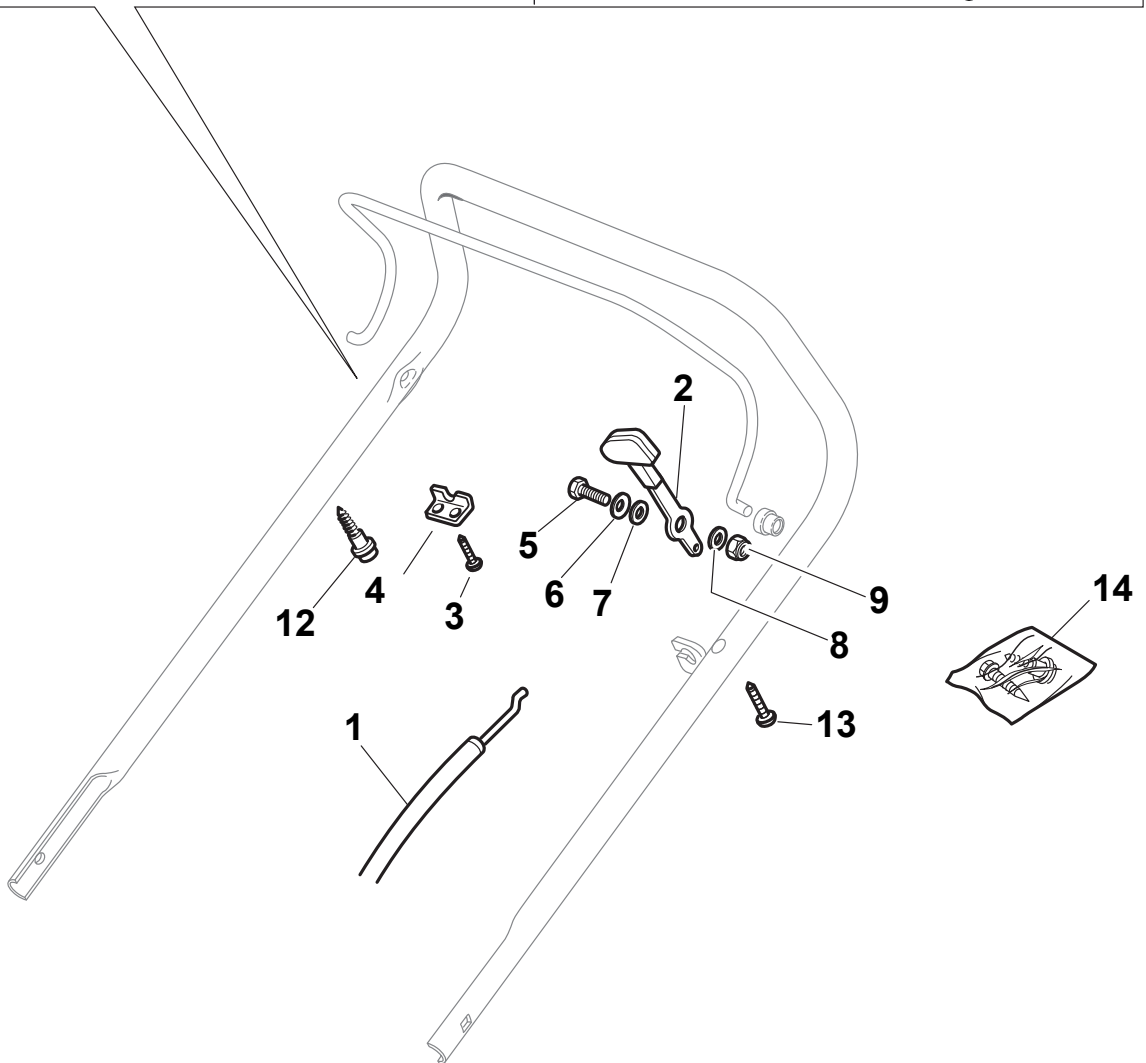
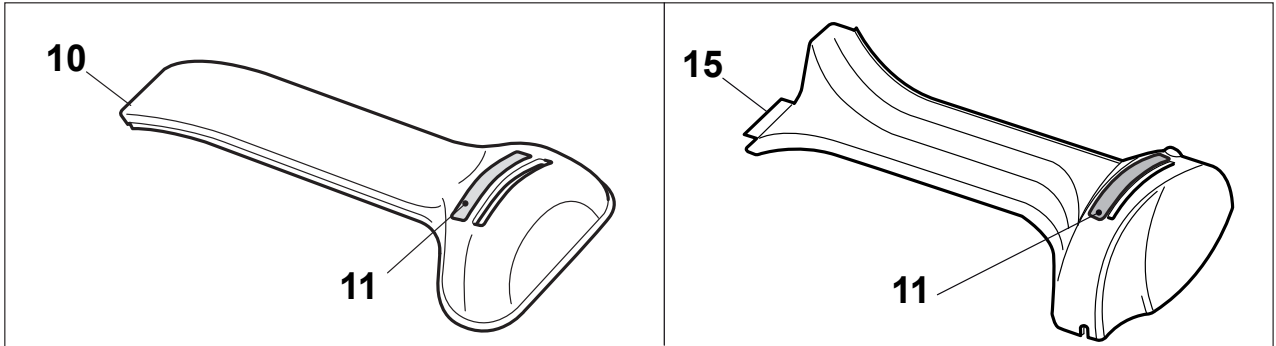


# NT 484 W TR - 484 W TRQ

WBH Petrol Steel Controls

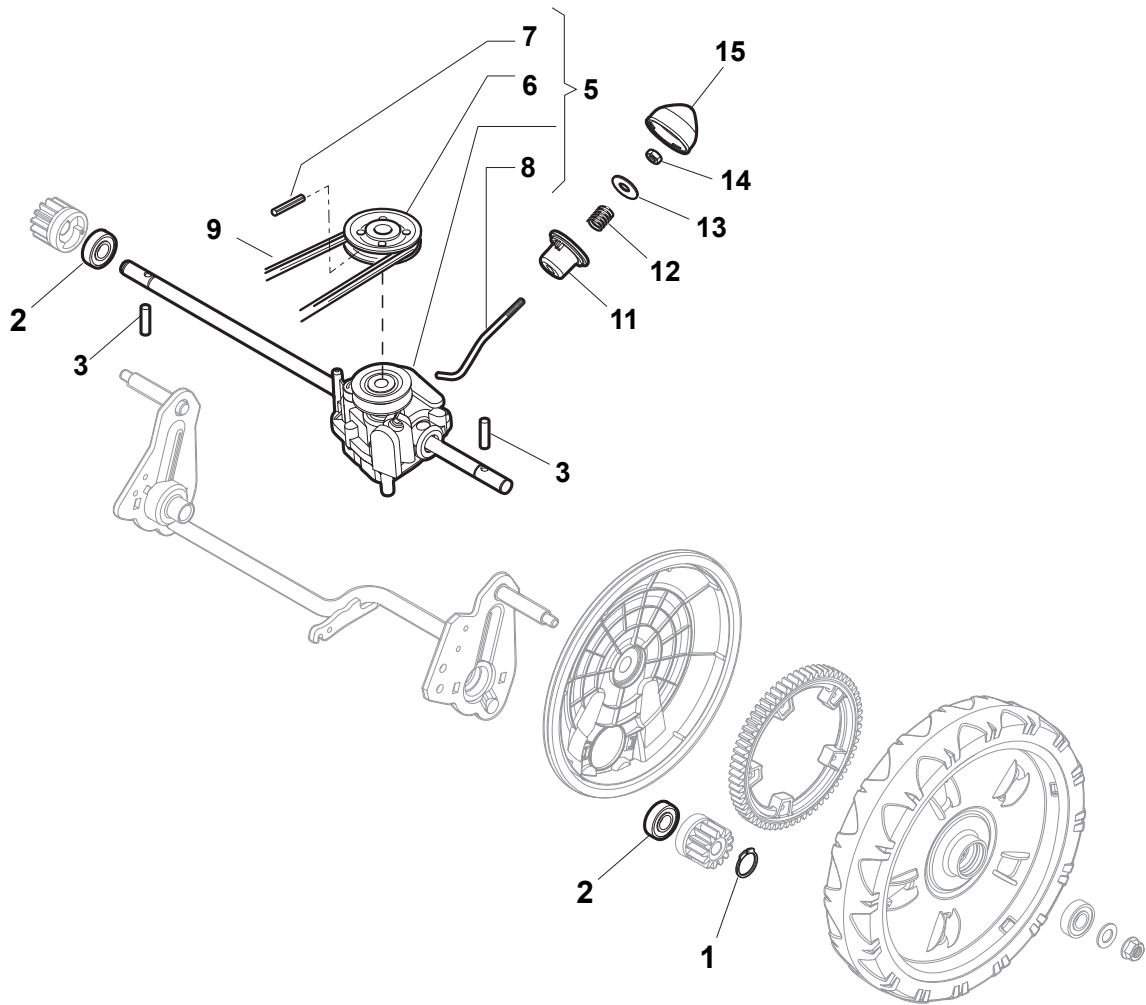
Issue 9 - 2015

| Fig. | Quantity | Part No     | Description    | Notes                       |
|------|----------|-------------|----------------|-----------------------------|
| 1    | 1        | 181005503/1 | Throttle Cable | for HONDA AC Engines        |
| 1    | 1        | 181005504/1 | Throttle Cable | for SV40/RV40/V35 Engines   |
| 1    | 1        | 181005525/0 | Throttle Cable | for B&S 500-550-575 Series  |
| 1    | 1        | 181005537/0 | Throttle Cable | for GGP RS/RSC/RSCT Engines |
| 1    | 1        | 181005501/1 | Throttle Cable | for GGP and HONDA Engines   |
| 2    | 1        | 112735103/0 | Screw          |                             |
| 3    | 1        | 112523040/0 | Washer         |                             |





| Fig. | Quantity | Part No     | Description              | Notes   |
|------|----------|-------------|--------------------------|---|
| 1    | 1        | 481007160/0 | Throttle Cable           |   |
| 2    | 1        | 381007221/0 | Dashboard Throttle Lever | only for B&S 450-500 Series and SV40/RV40/V35 Engines |
| 2    | 1        | 381007280/2 | Dashboard Throttle Lever |   |
| 3    | 2        | 112735105/0 | Screw                    |   |
| 4    | 1        | 322981467/0 | Plate                    |   |
| 5    | 1        | 112791500/0 | Screw                    |   |
| 6    | 1        | 112530060/0 | Spring Washer            |   |
| 7    | 1        | 112523040/0 | Washer                   |   |
| 8    | 1        | 112523040/0 | Washer                   |   |
| 9    | 1        | 112154510/0 | Nut                      |   |
| 10   | 1        | 322120189/0 | Red Dashboard            |   |
| 11   | 1        | 114356743/1 | Label                    | for GGP and HONDA Engines                             |
| 11   | 1        | 114356744/1 | Label                    | for B&S Engines                                       |
| 11   | 1        | 114356906/1 | Label                    | for DOV Series  |
| 11   | 1        | 114357646/1 | Label                    | for HONDA Autochoke Engines                           |
| 12   | 1        | 122943006/0 | Screw                    |   |
| 13   | 1        | 112728460/0 | Screw                    |   |
| 14   | 1        | 381008609/0 | Outfit, Screws           |   |
| 15   | 1        | 422120152/0 | Yellow Dashboard         | Yellow  |
| 15   | 1        | 422120154/0 | Red Dashboard            | Red   |
| 15   | 1        | 422120158/0 | Black Dashboard          | Black   |



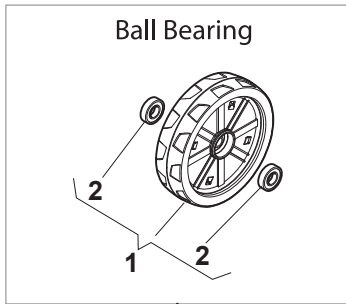
# NT 484 W TR - 484 W TRQ

WBH Petrol Steel Transmission

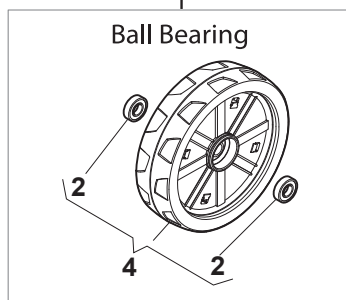
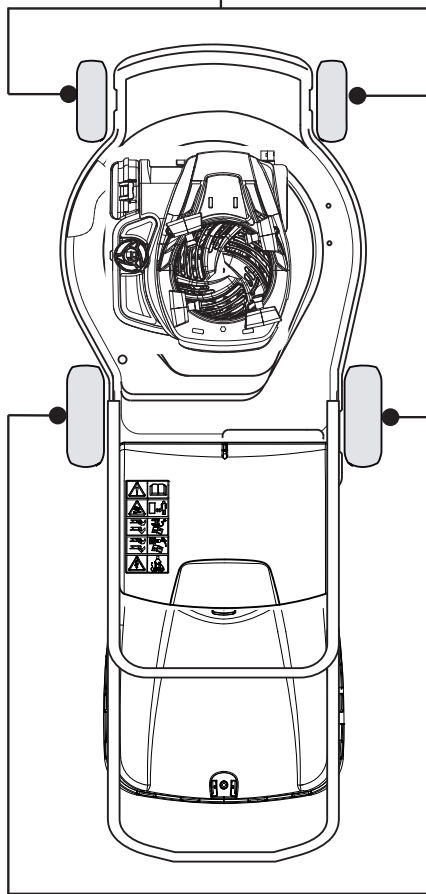
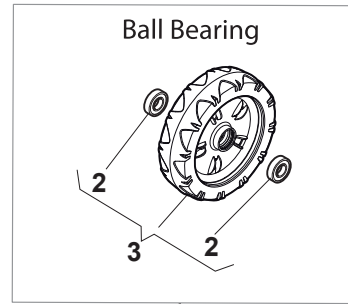
Issue 9 - 2015

| Fig. | Quantity | Part No     | Description      | Notes |
|------|----------|-------------|------------------|-------|
| 1    | 2        | 112608600/0 | Seeger           |       |
| 2    | 2        | 119216035/0 | Bearing          |       |
| 3    | 2        | 122753000/0 | Pin              |       |
| 5    | 1        | 181003076/1 | Gear Box         |       |
| 6    | 1        | 122601904/0 | Pulley           |       |
| 7    | 1        | 112645700/0 | Elastic Pin      |       |
| 8    | 1        | 122033283/0 | Adjustment Rod   |       |
| 9    | 1        | 135063800/0 | Trapezoidal Belt |       |
| 11   | 1        | 122041957/1 | Bushing          |       |
| 12   | 1        | 122450063/0 | Spring           |       |
| 13   | 1        | 322680009/0 | Washer           |       |
| 14   | 1        | 112154510/0 | Nut              |       |
| 15   | 1        | 122110230/0 | Hub Cover        |       |

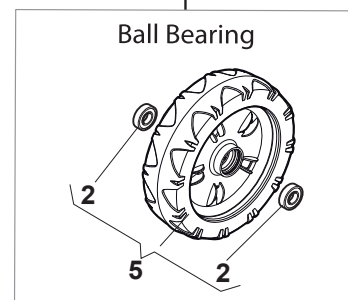
DELTA Wheels - Ø 200



NTD Wheels - Ø 200



DELTA Wheels - Ø 280



NTD Wheels - Ø 280

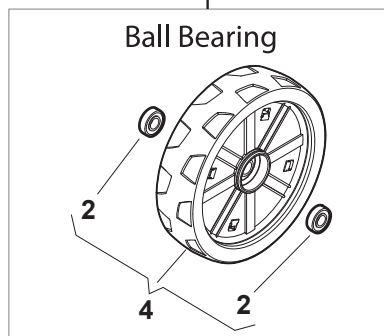
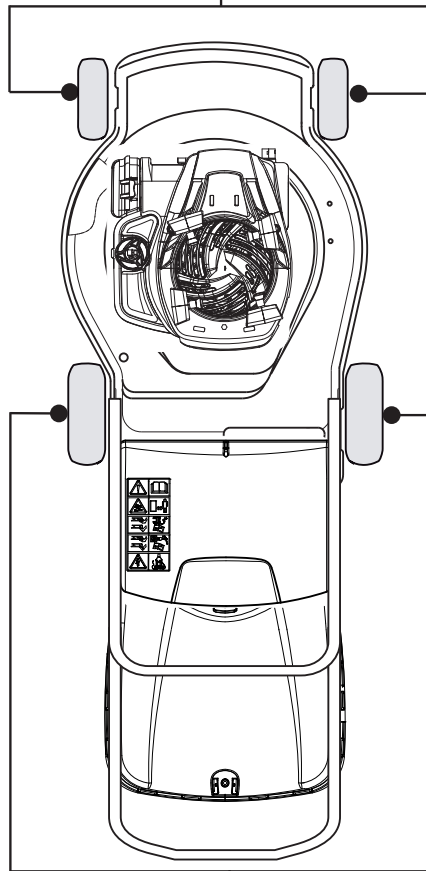
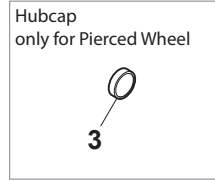
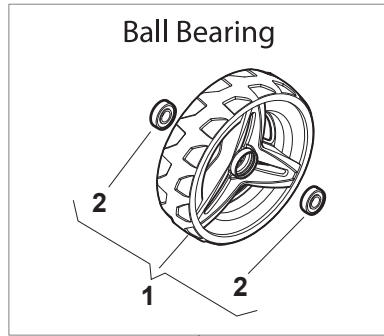
# NT 484 W TR - 484 W TRQ

WBH Petrol Steel Wheels and Hub Caps

Issue 9 - 2015

| Fig. | Quantity | Part No     | Description | Notes |
|------|----------|-------------|-------------|-------|
| 1    | 2        | 381007483/1 | Wheel       |       |
| 2    | 8        | 119216035/0 | Bearing     |       |
| 3    | 2        | 381007416/2 | Wheel       |       |
| 4    | 2        | 381007478/1 | Wheel       |       |
| 5    | 2        | 381007417/2 | Wheel       |       |

### DELTA Wheel (Pierced) - Ø 200



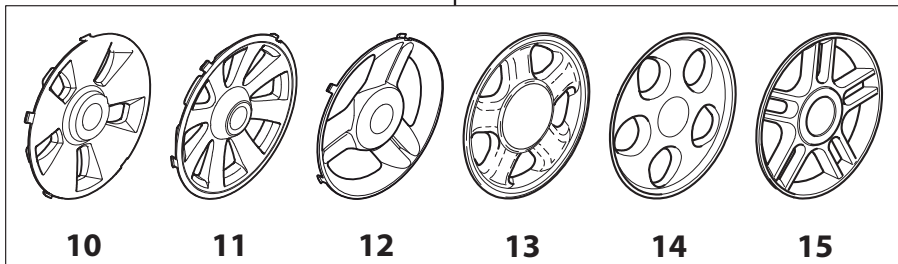
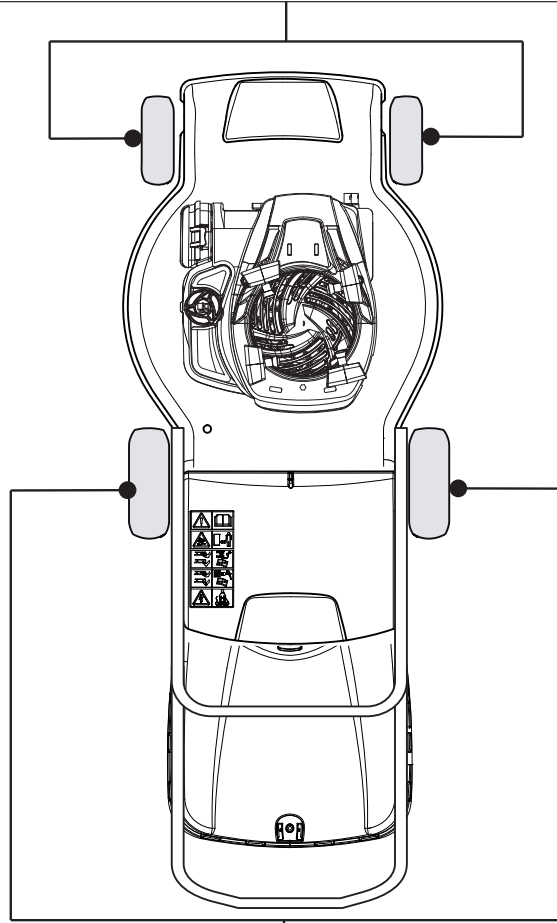
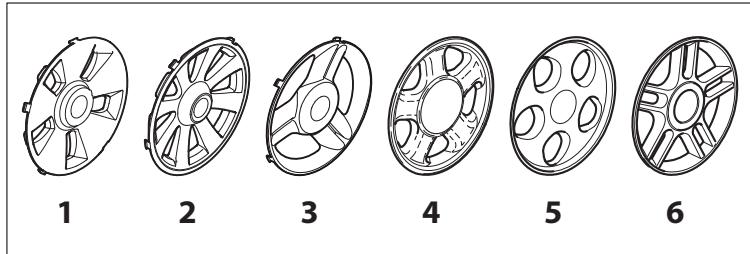
### DELTA Wheel - Ø 280

# NT 484 W TR - 484 W TRQ

WBH Petrol Steel    Wheels and Hub Caps

Issue 9 - 2015

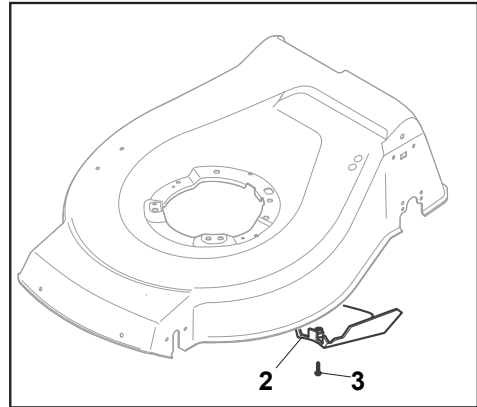
| Fig. | Quantity | Part No     | Description  | Notes |
|------|----------|-------------|--------------|-------|
| 3    | 2        | 322110640/0 | Hub Cap Grey |       |
| 4    | 2        | 381007478/1 | Wheel        |       |
| 2    | 8        | 119216035/0 | Bearing      |       |
| 1    | 2        | 381007477/0 | Wheel        |       |



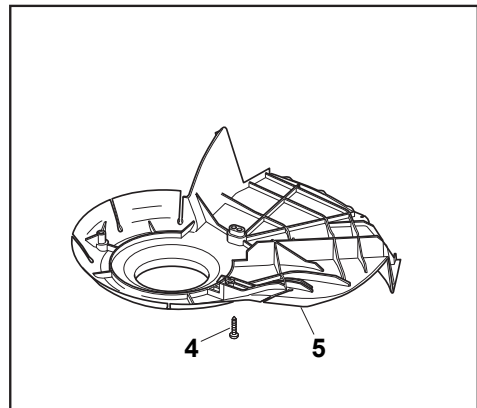


| Fig. | Quantity | Part No     | Description    | Notes |
|------|----------|-------------|----------------|-------|
| 1    | 2        | 322110643/0 | Hub Cap Grey   |       |
| 2    | 2        | 322110645/0 | Hub Cap Grey   |       |
| 2    | 2        | 322110649/0 | Hub Cap Yellow |       |
| 3    | 2        | 322110687/0 | Hub Cap Grey   |       |
| 4    | 2        | 322110382/0 | Hub Cap Grey   |       |
| 5    | 2        | 322110416/0 | Hub Cap Grey   |       |
| 6    | 2        | 322110492/0 | Hub Cap Grey   |       |
| 10   | 2        | 322110644/0 | Hub Cap Grey   |       |
| 11   | 2        | 322110646/0 | Hub Cap Grey   |       |
| 11   | 2        | 322110650/0 | Hub Cap Yellow |       |
| 12   | 2        | 322110641/0 | Hub Cap Grey   |       |
| 13   | 2        | 322110511/0 | Hub Cap Grey   |       |
| 14   | 2        | 322110417/0 | Hub Cap Grey   |       |
| 15   | 2        | 322110560/0 | Hub Cap Grey   |       |

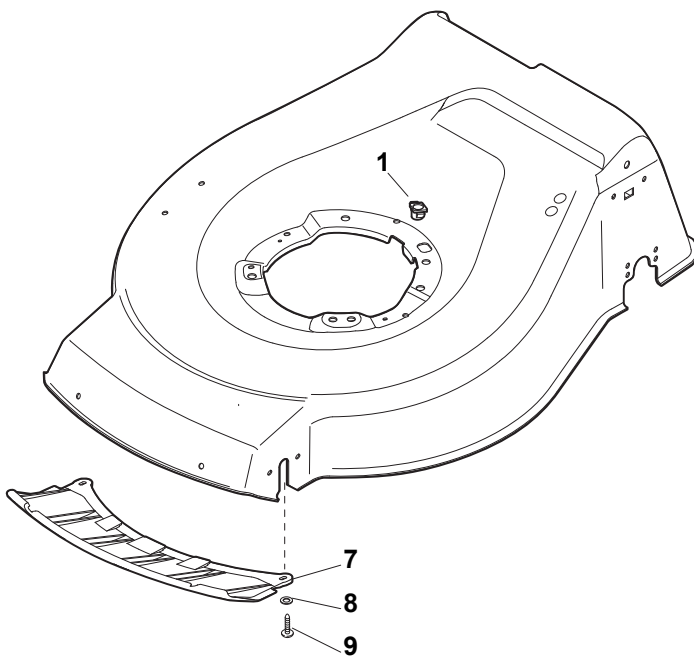
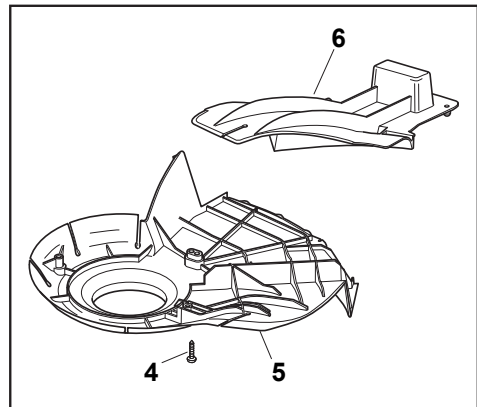
CARTER STANDARD (No Mulching)



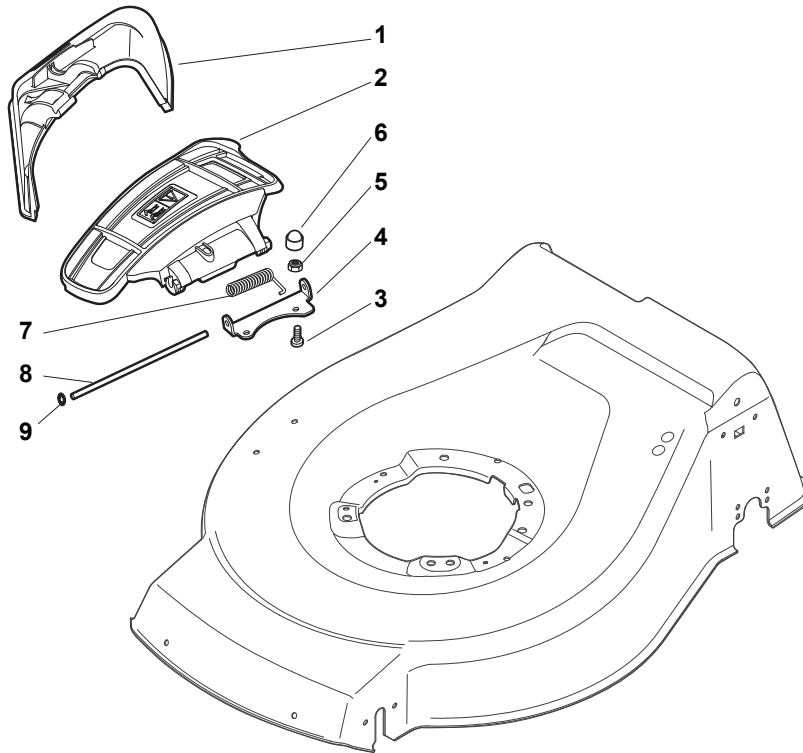
CARTER MULCHING (No Mulching)



KIT MULCHING



| Fig. | Quantity | Part No     | Description     | Notes              |
|------|----------|-------------|-----------------|--------------------|
| 1    | 1        | 322291150/0 | Rubber Insert   |                    |
| 2    | 1        | 122060192/0 | Belt Protection |                    |
| 3    | 1        | 112728530/0 | Screw           |                    |
| 4    | 3        | 112728530/0 | Screw           |                    |
| 5    | 1        | 322060198/1 | Belt Protection | Not for BBC models |
| 6    | 1        | 322140223/0 | Deflector       |                    |
| 7    | 1        | 322500102/0 | Front Combi     |                    |
| 8    | 2        | 112523000/1 | Washer          |                    |
| 9    | 2        | 112728124/0 | Screw           |                    |

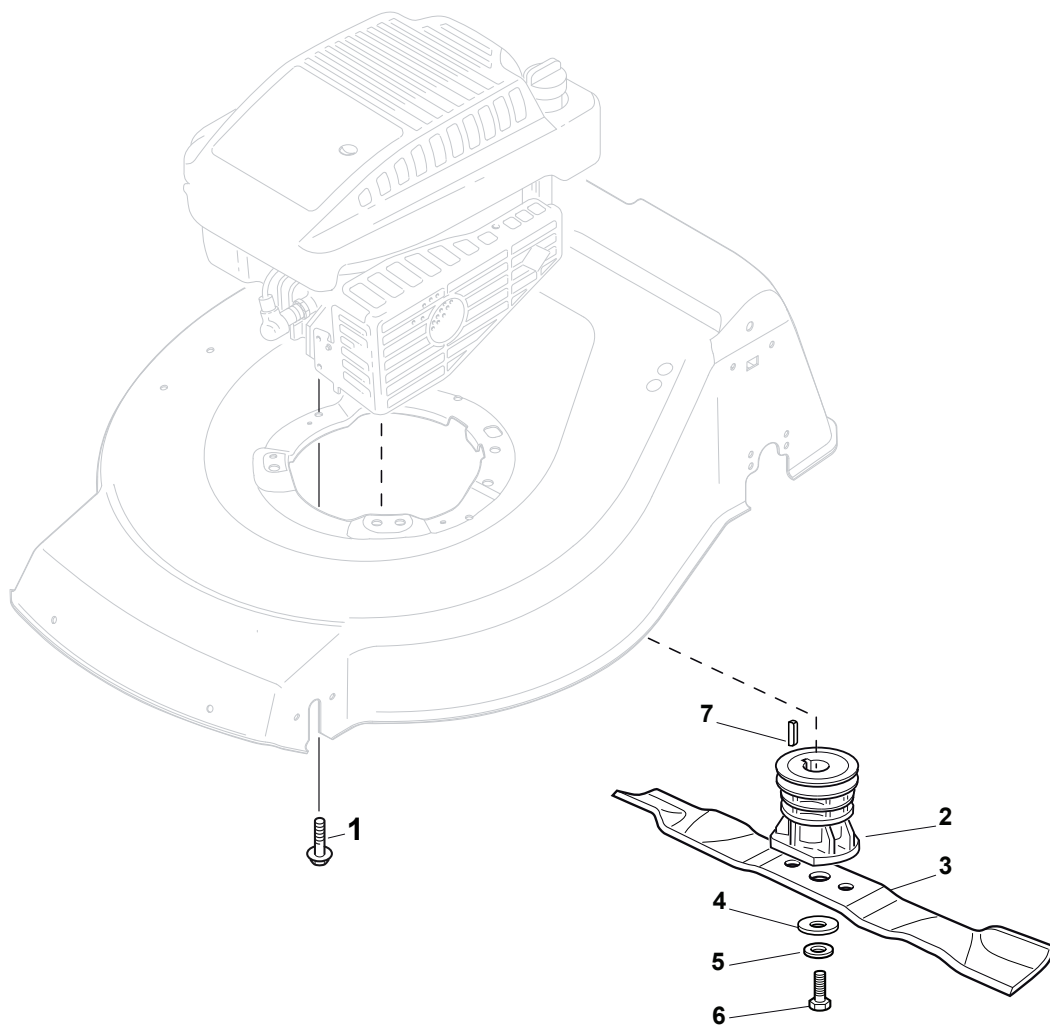


# NT 484 W TR - 484 W TRQ

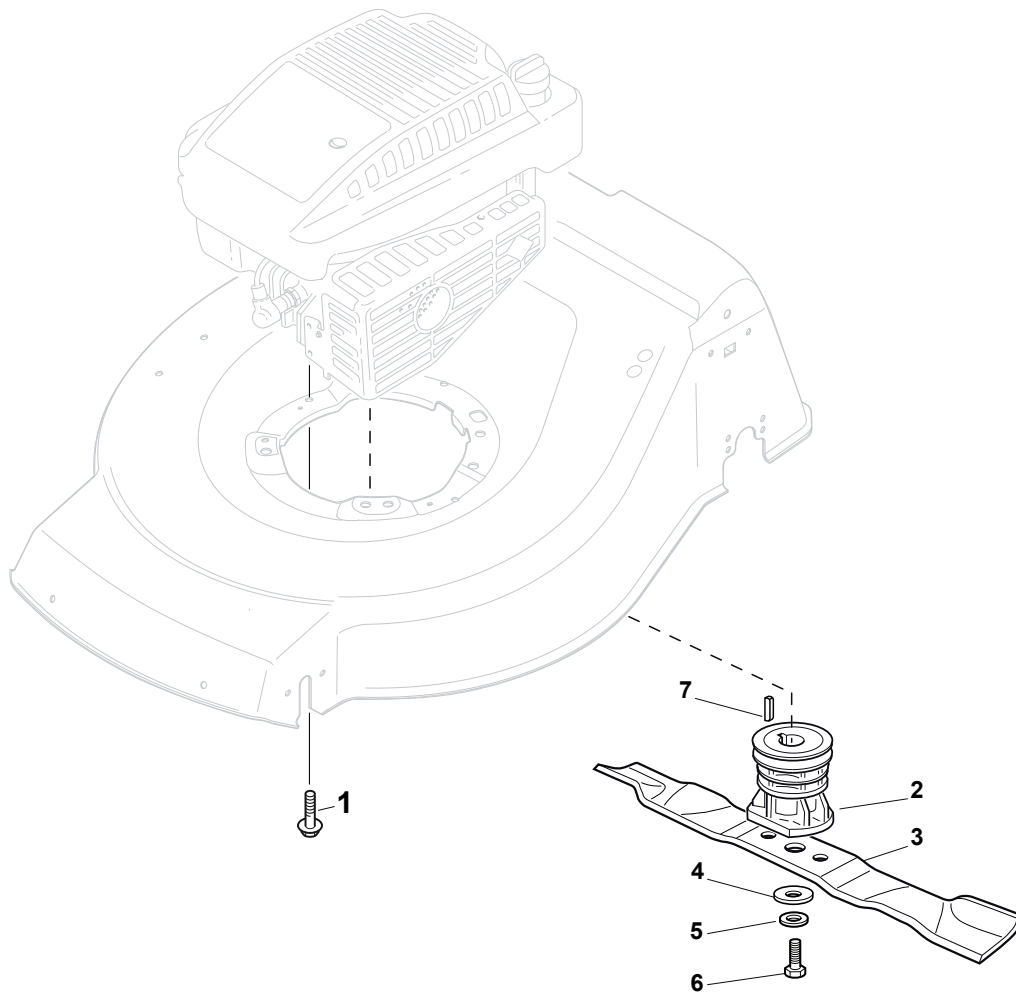
WBH Petrol Steel Ejection-Guard

Issue 9 - 2015

| Fig. | Quantity | Part No     | Description            | Notes |
|------|----------|-------------|------------------------|-------|
| 1    | 1        | 322108295/1 | Side Ejection Conveyor |       |
| 2    | 1        | 322600313/0 | Ejection Guard         |       |
| 3    | 2        | 112727803/0 | Screw                  |       |
| 4    | 1        | 322806639/0 | Fulcrum Pin            |       |
| 5    | 2        | 112154510/0 | Nut                    |       |
| 6    | 2        | 118203853/0 | Screw                  |       |
| 7    | 1        | 122450456/0 | Spring                 |       |
| 8    | 1        | 122517869/1 | Pin                    |       |
| 9    | 2        | 112604896/0 | Crown Fastener         |       |

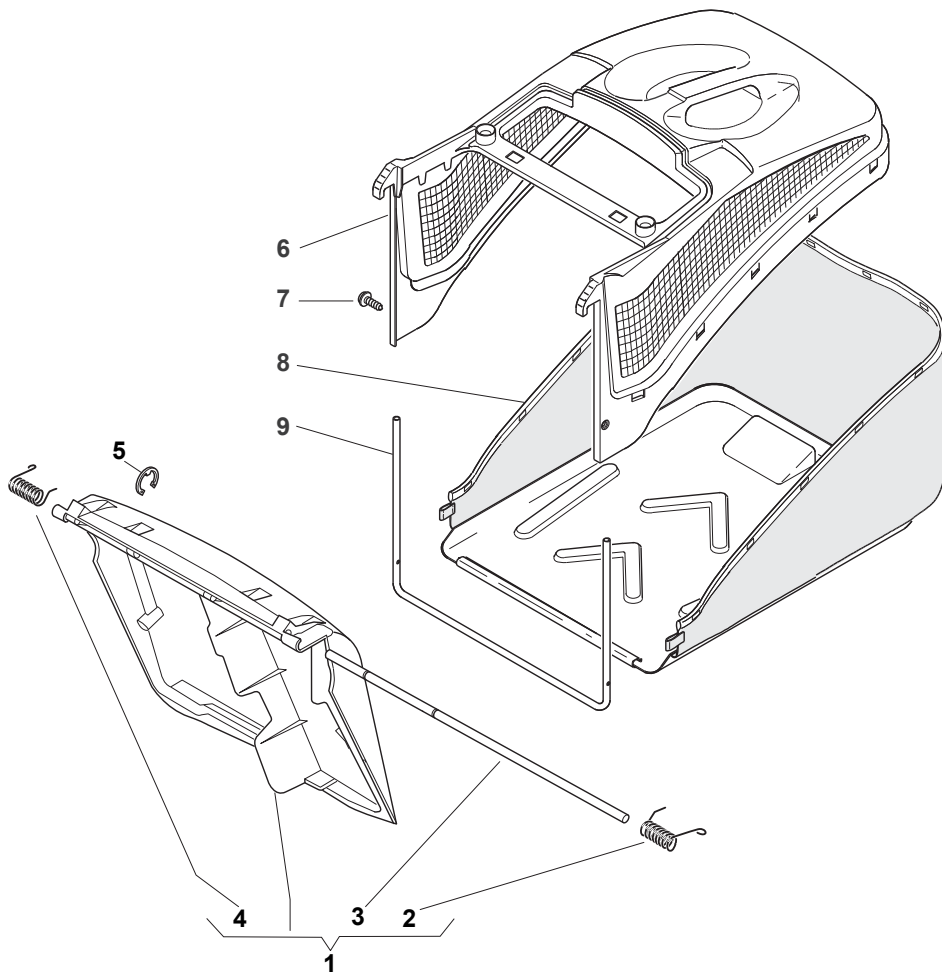


| Fig. | Quantity | Part No     | Description                        | Notes                   |
|------|----------|-------------|------------------------------------|-------------------------|
| 1    | 3        | 112735108/1 | Screw                              |                         |
| 2    | 1        | 122465607/3 | Hub With Pulley, Crankshaft Ø 22.2 | for B&S and GGP Engines |
| 2    | 1        | 122465608/2 | Hub With Pulley, Crankshaft Ø 25   | for HONDA Engines       |
| 3    | 1        | 181004458/0 | Mulching Blade                     |                         |
| 4    | 1        | 122160400/0 | Elastic Disc                       |                         |
| 5    | 1        | 112523080/0 | Washer                             |                         |
| 6    | 1        | 112735698/0 | Screw                              |                         |
| 7    | 1        | 112139100/0 | Feather, Crankshaft Ø 22,2         | for B&S and GGP Engines |
| 7    | 1        | 112139150/0 | Feather, Crankshaft Ø 25           | for HONDA Engines       |





| Fig. | Quantity | Part No     | Description                        | Notes                   |
|------|----------|-------------|------------------------------------|-------------------------|
| 1    | 3        | 112735108/1 | Screw                              |                         |
| 2    | 1        | 122465607/3 | Hub With Pulley, Crankshaft Ø 22.2 | for B&S and GGP Engines |
| 2    | 1        | 122465608/2 | Hub With Pulley, Crankshaft Ø 25   | for HONDA Engines       |
| 3    | 1        | 181004397/0 | Blade Winged                       |                         |
| 4    | 1        | 122160400/0 | Elastic Disc                       |                         |
| 5    | 1        | 112523080/0 | Washer                             |                         |
| 6    | 1        | 112735698/0 | Screw                              |                         |
| 7    | 1        | 112139100/0 | Feather, Crankshaft Ø 22,2         | for B&S and GGP Engines |
| 7    | 1        | 112139150/0 | Feather, Crankshaft Ø 25           | for HONDA Engines       |

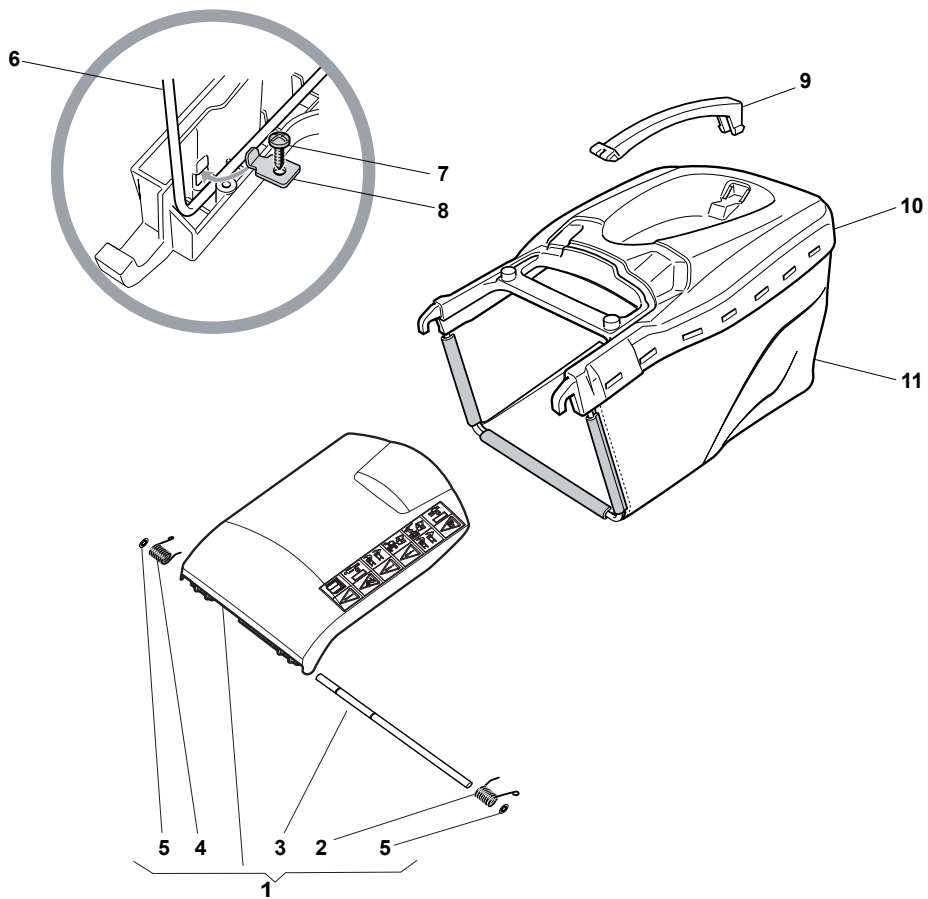


# NT 484 W TR - 484 W TRQ

WBH Petrol Steel Grass-Catcher

Issue 9 - 2015

| Fig. | Quantity | Part No     | Description            | Notes |
|------|----------|-------------|------------------------|-------|
| 1    | 1        | 381008021/2 | Stone Guard            | Black |
| 2    | 1        | 122450420/1 | Left Protection Spring |       |
| 3    | 1        | 122517906/1 | Fulcrum Pin            |       |
| 4    | 1        | 122450410/1 | Right Spring           |       |
| 5    | 1        | 112000930/0 | Benzing Ring           |       |
| 6    | 1        | 122486093/0 | Box, Upper Side        |       |
| 7    | 2        | 112728445/0 | Screw                  |       |
| 8    | 1        | 181002195/0 | Box, Fabric            |       |
| 9    | 1        | 122608523/0 | Stiffening             |       |

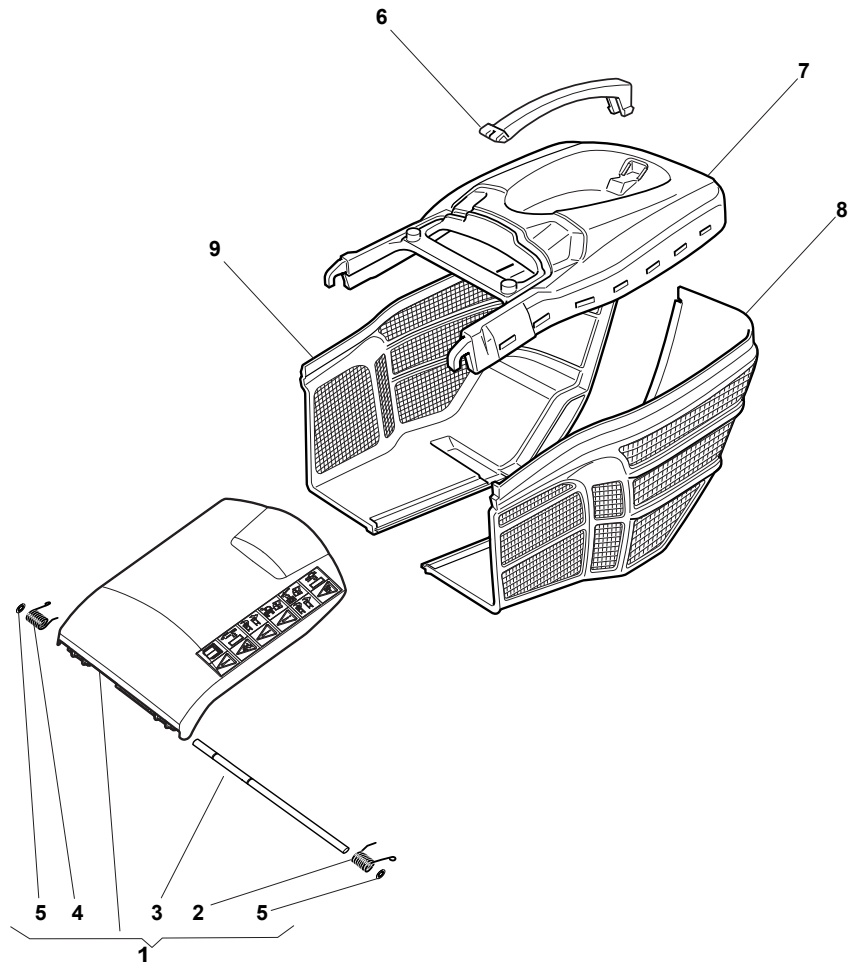


# NT 484 W TR - 484 W TRQ

WBH Petrol Steel Grass-Catcher

Issue 9 - 2015

| Fig. | Quantity | Part No     | Description         | Notes  |
|------|----------|-------------|---------------------|--------|
| 1    | 1        | 381008129/0 | Stone Guard, Yellow | Yellow |
| 1    | 1        | 381008128/0 | Stone Guard, Black  | Black  |
| 2    | 1        | 122450466/0 | Left Spring         |        |
| 3    | 1        | 122517882/0 | Pin                 |        |
| 4    | 1        | 122450465/0 | Right Spring        |        |
| 5    | 2        | 112604899/0 | Crown Fastener      |        |
| 6    | 1        | 122608505/0 | Stiffening          |        |
| 7    | 2        | 112728680/0 | Screw               |        |
| 8    | 2        | 322545159/0 | Plate               |        |
| 9    | 1        | 322393657/0 | Handle              | Black  |
| 9    | 1        | 322393721/0 | Handle              | Grey   |
| 10   | 1        | 381486009/0 | Grass-Box, Upper    | Black  |
| 10   | 1        | 381486031/0 | Grass-Box, Upper    | Grey   |
| 11   | 1        | 181002345/0 | Box, Fabric         |        |

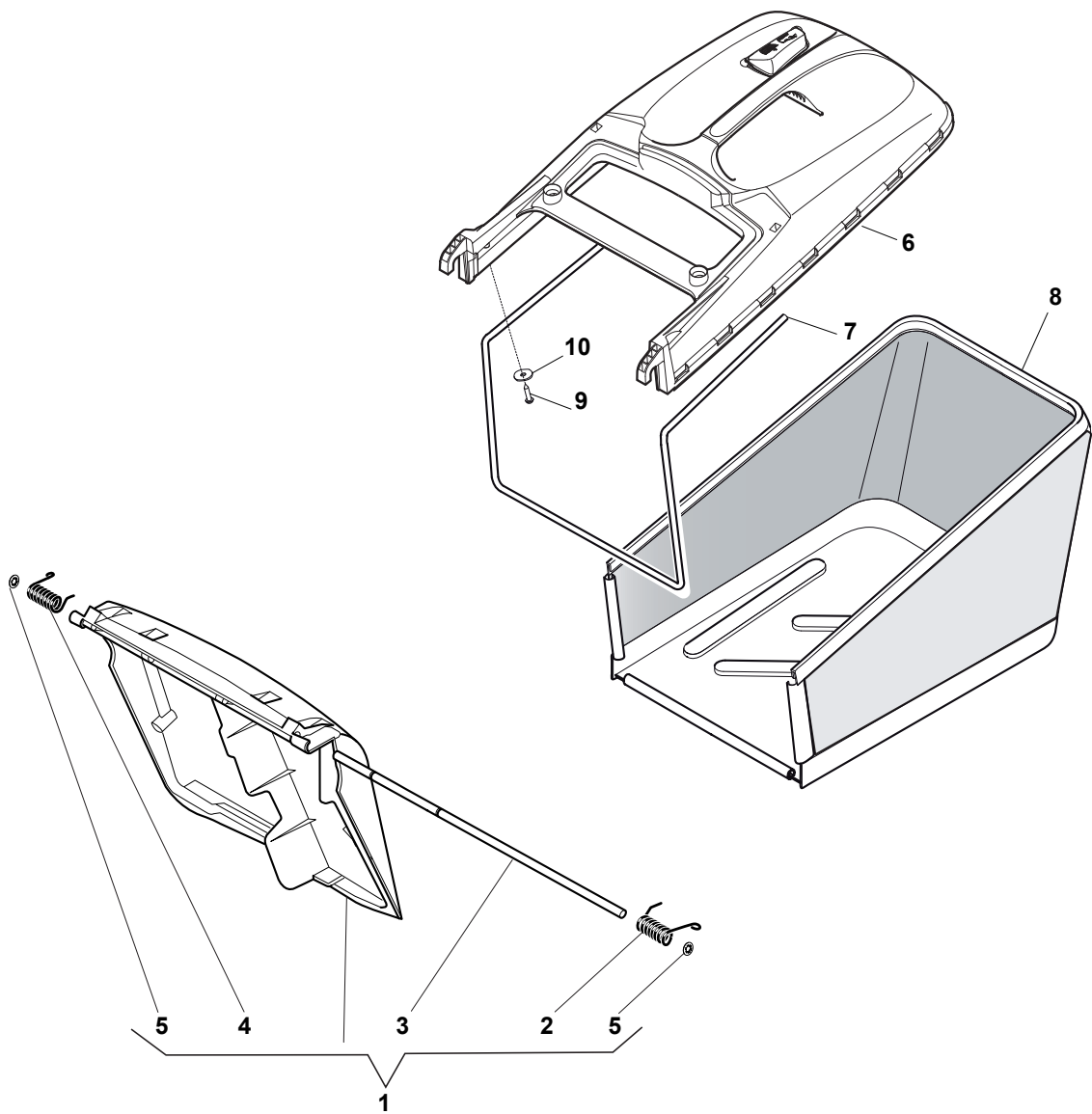


# NT 484 W TR - 484 W TRQ

WBH Petrol Steel Grass-Catcher

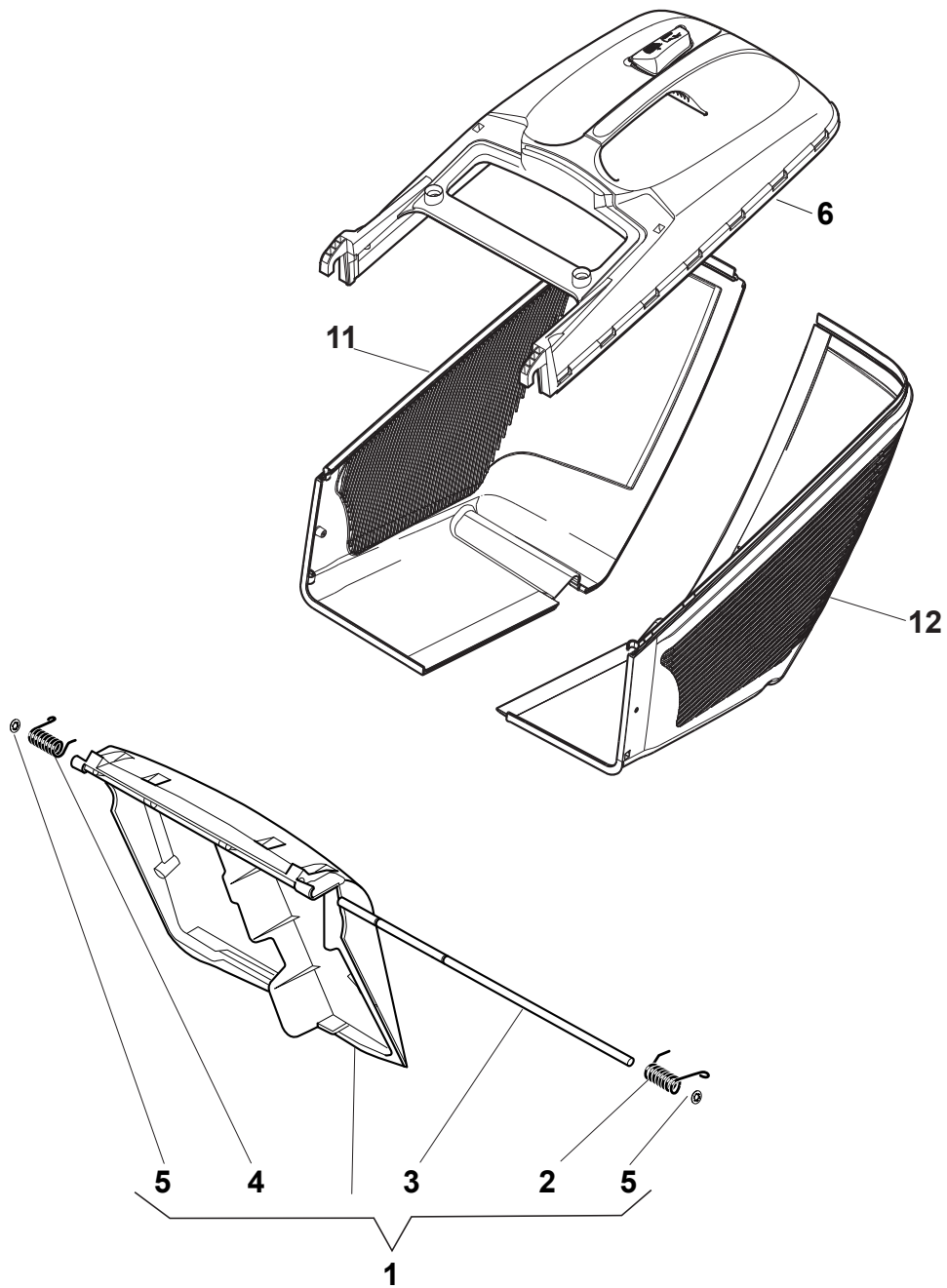
Issue 9 - 2015

| Fig. | Quantity | Part No     | Description         | Notes  |
|------|----------|-------------|---------------------|--------|
| 1    | 1        | 381008129/0 | Stone Guard, Yellow | Yellow |
| 1    | 1        | 381008128/0 | Stone Guard, Black  | Black  |
| 2    | 1        | 122450466/0 | Left Spring         |        |
| 3    | 1        | 122517882/0 | Pin                 |        |
| 4    | 1        | 122450465/0 | Right Spring        |        |
| 5    | 2        | 112604899/0 | Crown Fastener      |        |
| 6    | 1        | 322393657/0 | Handle              | Black  |
| 6    | 1        | 322393721/0 | Handle              | Grey   |
| 7    | 1        | 381486009/0 | Grass-Box, Upper    | Black  |
| 7    | 1        | 381486031/0 | Grass-Box, Upper    | Grey   |
| 8    | 1        | 322486306/0 | Grass-Box, L Lower  | Black  |
| 9    | 1        | 322486305/0 | Grass-Box, R Lower  | Black  |





| Fig. | Quantity | Part No     | Description           | Notes  |
|------|----------|-------------|-----------------------|--------|
| 1    | 1        | 381008081/2 | Stone Guard, Black    | Black  |
| 1    | 1        | 381008098/1 | Stone Guard, White    | White  |
| 1    | 1        | 381008082/2 | Stone Guard, Yellow   | Yellow |
| 2    | 1        | 122450466/0 | Left Spring           |        |
| 3    | 1        | 122517882/0 | Pin                   |        |
| 4    | 1        | 122450465/0 | Right Spring          |        |
| 5    | 2        | 112604899/0 | Crown Fastener        |        |
| 6    | 1        | 381486008/0 | Grass-Box, Upper Part | Black  |
| 6    | 1        | 381486030/0 | Grass-Box, Upper Part | Grey   |
| 6    | 1        | 381486012/0 | Grass-Box, Upper Part | Yellow |
| 7    | 1        | 122608525/1 | Stiffening Lower      |        |
| 8    | 1        | 181002211/0 | Box, Fabric           |        |
| 9    | 2        | 112728680/0 | Screw                 |        |
| 10   | 2        | 112523050/0 | Washer                |        |



| Fig. | Quantity | Part No     | Description                 | Notes  |
|------|----------|-------------|-----------------------------|--------|
| 1    | 1        | 381008081/2 | Stone Guard, Black          | Black  |
| 1    | 1        | 381008098/1 | Stone Guard, White          | White  |
| 1    | 1        | 381008082/2 | Stone Guard, Yellow         | Yellow |
| 2    | 1        | 122450466/0 | Left Spring                 |        |
| 3    | 1        | 122517882/0 | Pin                         |        |
| 4    | 1        | 122450465/0 | Right Spring                |        |
| 5    | 2        | 112604899/0 | Crown Fastener              |        |
| 6    | 1        | 381486008/0 | Grass-Box, Upper Part       | Black  |
| 6    | 1        | 381486030/0 | Grass-Box, Upper Part       | Grey   |
| 6    | 1        | 381486012/0 | Grass-Box, Upper Part       | Yellow |
| 11   | 1        | 322486150/1 | Grass-Box, Right Lower Part |        |
| 12   | 1        | 322486151/1 | Grass-Box, Left Lower Part  |        |

| code        | pos. | q.ty | page  |             |    |   |       |             |    |   |       |  |
|-------------|------|------|-------|-------------|----|---|-------|-------------|----|---|-------|--|
| 112000930/0 | 5    | 1    | p. 43 | 112727803/0 | 3  | 2 | p. 5  | 122450063/0 | 12 | 1 | p. 27 |  |
| 112000930/0 | 12   | 1    | p. 17 | 112727803/0 | 3  | 2 | p. 37 | 122450410/1 | 4  | 1 | p. 43 |  |
| 112139100/0 | 7    | 1    | p. 39 | 112727803/0 | 16 | 4 | p. 3  | 122450420/1 | 2  | 1 | p. 43 |  |
| 112139100/0 | 7    | 1    | p. 41 | 112727812/0 | 19 | 2 | p. 13 | 122450456/0 | 7  | 1 | p. 5  |  |
| 112139150/0 | 7    | 1    | p. 39 | 112727812/0 | 19 | 2 | p. 15 | 122450456/0 | 7  | 1 | p. 37 |  |
| 112139150/0 | 7    | 1    | p. 41 | 112728124/0 | 3  | 2 | p. 7  | 122450460/0 | 32 | 1 | p. 3  |  |
| 112150000/0 | 8    | 1    | p. 3  | 112728124/0 | 9  | 2 | p. 35 | 122450465/0 | 4  | 1 | p. 45 |  |
| 112154220/0 | 23   | 2    | p. 13 | 112728300/0 | 14 | 2 | p. 7  | 122450465/0 | 4  | 1 | p. 47 |  |
| 112154220/0 | 23   | 2    | p. 15 | 112728445/0 | 7  | 2 | p. 43 | 122450465/0 | 4  | 1 | p. 49 |  |
| 112154330/0 | 9    | 2    | p. 13 | 112728450/0 | 9  | 1 | p. 3  | 122450465/0 | 4  | 1 | p. 51 |  |
| 112154330/0 | 9    | 2    | p. 15 | 112728460/0 | 13 | 1 | p. 25 | 122450466/0 | 2  | 1 | p. 45 |  |
| 112154330/0 | 15   | 2    | p. 3  | 112728530/0 | 3  | 1 | p. 35 | 122450466/0 | 2  | 1 | p. 47 |  |
| 112154510/0 | 4    | 1    | p. 3  | 112728530/0 | 4  | 3 | p. 35 | 122450466/0 | 2  | 1 | p. 49 |  |
| 112154510/0 | 4    | 1    | p. 19 | 112728680/0 | 7  | 2 | p. 45 | 122450466/0 | 2  | 1 | p. 51 |  |
| 112154510/0 | 4    | 1    | p. 21 | 112728680/0 | 9  | 2 | p. 49 | 122465607/3 | 2  | 1 | p. 39 |  |
| 112154510/0 | 5    | 2    | p. 5  | 112728697/0 | 9  | 2 | p. 7  | 122465607/3 | 2  | 1 | p. 41 |  |
| 112154510/0 | 5    | 2    | p. 37 | 112728697/0 | 33 | 4 | p. 3  | 122465608/2 | 2  | 1 | p. 39 |  |
| 112154510/0 | 6    | 1    | p. 17 | 112728697/0 | 35 | 4 | p. 3  | 122465608/2 | 2  | 1 | p. 41 |  |
| 112154510/0 | 7    | 1    | p. 17 | 112728706/0 | 39 | 6 | p. 3  | 122486093/0 | 6  | 1 | p. 43 |  |
| 112154510/0 | 8    | 2    | p. 7  | 112728721/0 | 13 | 2 | p. 13 | 122517869/1 | 8  | 1 | p. 5  |  |
| 112154510/0 | 9    | 1    | p. 25 | 112728721/0 | 13 | 2 | p. 15 | 122517869/1 | 8  | 1 | p. 37 |  |
| 112154510/0 | 12   | 3    | p. 13 | 112735103/0 | 2  | 1 | p. 23 | 122517882/0 | 3  | 1 | p. 45 |  |
| 112154510/0 | 12   | 3    | p. 15 | 112735105/0 | 3  | 2 | p. 25 | 122517882/0 | 3  | 1 | p. 47 |  |
| 112154510/0 | 14   | 1    | p. 27 | 112735108/1 | 1  | 3 | p. 39 | 122517882/0 | 3  | 1 | p. 49 |  |
| 112154510/0 | 15   | 1    | p. 11 | 112735108/1 | 1  | 3 | p. 41 | 122517882/0 | 3  | 1 | p. 51 |  |
| 112154510/0 | 18   | 2    | p. 7  | 112735662/1 | 10 | 4 | p. 13 | 122517906/1 | 3  | 1 | p. 43 |  |
| 112154510/0 | 18   | 4    | p. 3  | 112735662/1 | 10 | 4 | p. 15 | 122534131/0 | 2  | 1 | p. 3  |  |
| 112155000/0 | 12   | 2    | p. 9  | 112735698/0 | 6  | 1 | p. 39 | 122570133/0 | 40 | 1 | p. 3  |  |
| 112155000/0 | 12   | 2    | p. 11 | 112735698/0 | 6  | 1 | p. 41 | 122570134/0 | 37 | 1 | p. 3  |  |
| 112155000/0 | 25   | 4    | p. 3  | 112760605/0 | 10 | 2 | p. 9  | 122601904/0 | 6  | 1 | p. 27 |  |
| 112155000/0 | 27   | 1    | p. 13 | 112760605/0 | 10 | 4 | p. 11 | 122608505/0 | 6  | 1 | p. 45 |  |
| 112155000/0 | 27   | 1    | p. 15 | 112760605/0 | 30 | 1 | p. 13 | 122608523/0 | 9  | 1 | p. 43 |  |
| 112293200/0 | 7    | 4    | p. 11 | 112760605/0 | 30 | 1 | p. 15 | 122608525/1 | 7  | 1 | p. 49 |  |
| 112369500/0 | 16   | 1    | p. 11 | 112788512/0 | 5  | 1 | p. 3  | 122680006/1 | 5  | 4 | p. 11 |  |
| 112521310/0 | 7    | 1    | p. 3  | 112789000/0 | 13 | 2 | p. 3  | 122753000/0 | 3  | 2 | p. 27 |  |
| 112521330/0 | 3    | 1    | p. 19 | 112791500/0 | 5  | 1 | p. 25 | 122943006/0 | 12 | 1 | p. 25 |  |
| 112521330/0 | 3    | 1    | p. 21 | 112819120/0 | 4  | 1 | p. 11 | 125038002/1 | 11 | 1 | p. 11 |  |
| 112521330/0 | 8    | 1    | p. 17 | 114356743/1 | 11 | 1 | p. 25 | 125038002/1 | 11 | 2 | p. 9  |  |
| 112521350/0 | 24   | 4    | p. 3  | 114356744/1 | 11 | 1 | p. 25 | 125038002/1 | 28 | 1 | p. 13 |  |
| 112523000/1 | 2    | 2    | p. 7  | 114356906/1 | 11 | 1 | p. 25 | 125038002/1 | 28 | 1 | p. 15 |  |
| 112523000/1 | 8    | 2    | p. 35 | 114357646/1 | 11 | 1 | p. 25 | 135063800/0 | 9  | 1 | p. 27 |  |
| 112523000/1 | 20   | 2    | p. 13 | 118203853/0 | 6  | 2 | p. 5  | 181002195/0 | 8  | 1 | p. 43 |  |
| 112523000/1 | 20   | 2    | p. 15 | 118203853/0 | 6  | 2 | p. 37 | 181002211/0 | 8  | 1 | p. 49 |  |
| 112523040/0 | 3    | 1    | p. 23 | 118390020/0 | 5  | 1 | p. 19 | 181002345/0 | 11 | 1 | p. 45 |  |
| 112523040/0 | 7    | 1    | p. 25 | 118390020/0 | 5  | 1 | p. 21 | 181003076/1 | 5  | 1 | p. 27 |  |
| 112523040/0 | 8    | 1    | p. 25 | 119216035/0 | 2  | 2 | p. 27 | 181003300/1 | 9  | 1 | p. 19 |  |
| 112523040/0 | 14   | 1    | p. 11 | 119216035/0 | 2  | 8 | p. 29 | 181003301/0 | 12 | 1 | p. 19 |  |
| 112523050/0 | 10   | 2    | p. 49 | 119216035/0 | 2  | 8 | p. 31 | 181003363/1 | 9  | 1 | p. 21 |  |
| 112523080/0 | 5    | 1    | p. 39 | 122033283/0 | 8  | 1 | p. 27 | 181003364/0 | 12 | 1 | p. 21 |  |
| 112523080/0 | 5    | 1    | p. 41 | 122041957/1 | 11 | 1 | p. 27 | 181004397/0 | 3  | 1 | p. 41 |  |
| 112530060/0 | 6    | 1    | p. 25 | 122041966/0 | 8  | 1 | p. 19 | 181004458/0 | 3  | 1 | p. 39 |  |
| 112604896/0 | 9    | 2    | p. 5  | 122041966/0 | 11 | 1 | p. 19 | 181005501/1 | 1  | 1 | p. 23 |  |
| 112604896/0 | 9    | 2    | p. 37 | 122060192/0 | 2  | 1 | p. 35 | 181005503/1 | 1  | 1 | p. 23 |  |
| 112604899/0 | 5    | 2    | p. 45 | 122110230/0 | 15 | 1 | p. 27 | 181005504/1 | 1  | 1 | p. 23 |  |
| 112604899/0 | 5    | 2    | p. 47 | 122131750/0 | 6  | 4 | p. 9  | 181005514/0 | 17 | 1 | p. 13 |  |
| 112604899/0 | 5    | 2    | p. 49 | 122160400/0 | 4  | 1 | p. 39 | 181005515/0 | 17 | 1 | p. 13 |  |
| 112604899/0 | 5    | 2    | p. 51 | 122160400/0 | 4  | 1 | p. 41 | 181005516/0 | 17 | 1 | p. 13 |  |
| 112608600/0 | 1    | 2    | p. 27 | 122171002/0 | 12 | 2 | p. 3  | 181005525/0 | 1  | 1 | p. 23 |  |
| 112645700/0 | 7    | 1    | p. 27 | 122291050/0 | 13 | 1 | p. 19 | 181005537/0 | 1  | 1 | p. 23 |  |
| 112727784/0 | 14   | 1    | p. 15 | 122291050/0 | 13 | 1 | p. 21 | 181030053/0 | 6  | 1 | p. 19 |  |
| 112727786/0 | 14   | 1    | p. 13 | 122430309/0 | 8  | 1 | p. 13 | 181030053/0 | 6  | 1 | p. 21 |  |
| 112727787/0 | 2    | 1    | p. 17 | 122430309/0 | 8  | 1 | p. 15 | 181030054/0 | 6  | 1 | p. 19 |  |
| 112727799/0 | 6    | 2    | p. 7  | 122430313/0 | 2  | 1 | p. 19 | 181030054/0 | 6  | 1 | p. 21 |  |
| 112727799/0 | 17   | 2    | p. 7  | 122430313/0 | 2  | 1 | p. 21 | 181030056/0 | 5  | 1 | p. 17 |  |
|             |      |      |       | 122430313/0 | 9  | 1 | p. 17 | 181030056/0 | 6  | 1 | p. 19 |  |
|             |      |      |       | 122446192/0 | 41 | 1 | p. 3  | 181030056/0 | 6  | 1 | p. 21 |  |

| code        | pos. | q.ty | page  |             |    |   |       |             |    |   |       |  |
|-------------|------|------|-------|-------------|----|---|-------|-------------|----|---|-------|--|
| 181030057/0 | 5    | 1    | p. 17 | 322500102/0 | 1  | 1 | p. 7  | 381006805/0 | 1  | 1 | p. 17 |  |
| 181030070/0 | 6    | 1    | p. 19 | 322500102/0 | 7  | 1 | p. 35 | 381006838/0 | 1  | 1 | p. 19 |  |
| 181030070/0 | 6    | 1    | p. 21 | 322545152/0 | 34 | 2 | p. 3  | 381006840/0 | 1  | 1 | p. 21 |  |
| 181030073/0 | 16   | 1    | p. 13 | 322545159/0 | 8  | 2 | p. 45 | 381007043/0 | 1  | 1 | p. 11 |  |
| 181030099/0 | 16   | 1    | p. 15 | 322545204/0 | 7  | 1 | p. 19 | 381007221/0 | 2  | 1 | p. 25 |  |
| 322034002/0 | 10   | 1    | p. 3  | 322551639/0 | 17 | 1 | p. 15 | 381007280/2 | 2  | 1 | p. 25 |  |
| 322041967/1 | 11   | 4    | p. 13 | 322551640/0 | 3  | 1 | p. 17 | 381007416/2 | 3  | 2 | p. 29 |  |
| 322041967/1 | 11   | 4    | p. 15 | 322600145/0 | 21 | 2 | p. 3  | 381007417/2 | 5  | 2 | p. 29 |  |
| 322060198/1 | 5    | 1    | p. 35 | 322600208/0 | 27 | 2 | p. 3  | 381007477/0 | 1  | 2 | p. 31 |  |
| 322108295/1 | 1    | 1    | p. 5  | 322600313/0 | 2  | 1 | p. 5  | 381007478/1 | 4  | 2 | p. 29 |  |
| 322108295/1 | 1    | 1    | p. 37 | 322600313/0 | 2  | 1 | p. 37 | 381007478/1 | 4  | 2 | p. 31 |  |
| 322110382/0 | 4    | 2    | p. 33 | 322680009/0 | 13 | 1 | p. 27 | 381007483/1 | 1  | 2 | p. 29 |  |
| 322110416/0 | 5    | 2    | p. 33 | 322680016/0 | 5  | 4 | p. 9  | 381007520/0 | 1  | 1 | p. 21 |  |
| 322110417/0 | 14   | 2    | p. 33 | 322680017/0 | 26 | 2 | p. 13 | 381007522/0 | 1  | 1 | p. 19 |  |
| 322110492/0 | 6    | 2    | p. 33 | 322680017/0 | 26 | 2 | p. 15 | 381007525/0 | 1  | 1 | p. 19 |  |
| 322110511/0 | 13   | 2    | p. 33 | 322735589/0 | 11 | 1 | p. 3  | 381007539/0 | 1  | 1 | p. 9  |  |
| 322110560/0 | 15   | 2    | p. 33 | 322785304/1 | 36 | 2 | p. 3  | 381007540/0 | 1  | 1 | p. 19 |  |
| 322110640/0 | 3    | 2    | p. 31 | 322806639/0 | 4  | 1 | p. 5  | 381008021/2 | 1  | 1 | p. 43 |  |
| 322110641/0 | 12   | 2    | p. 33 | 322806639/0 | 4  | 1 | p. 37 | 381008081/2 | 1  | 1 | p. 49 |  |
| 322110643/0 | 1    | 2    | p. 33 | 322806644/0 | 18 | 1 | p. 13 | 381008081/2 | 1  | 1 | p. 51 |  |
| 322110644/0 | 10   | 2    | p. 33 | 322806644/0 | 18 | 1 | p. 15 | 381008082/2 | 1  | 1 | p. 49 |  |
| 322110645/0 | 2    | 2    | p. 33 | 322820082/0 | 10 | 1 | p. 7  | 381008082/2 | 1  | 1 | p. 51 |  |
| 322110646/0 | 11   | 2    | p. 33 | 322820083/0 | 11 | 1 | p. 7  | 381008098/1 | 1  | 1 | p. 49 |  |
| 322110649/0 | 2    | 2    | p. 33 | 322981467/0 | 4  | 1 | p. 25 | 381008098/1 | 1  | 1 | p. 51 |  |
| 322110650/0 | 11   | 2    | p. 33 | 381002881/1 | 17 | 1 | p. 3  | 381008128/0 | 1  | 1 | p. 45 |  |
| 322110687/0 | 3    | 2    | p. 33 | 381003253/0 | 4  | 4 | p. 9  | 381008128/0 | 1  | 1 | p. 47 |  |
| 322120115/0 | 38   | 2    | p. 3  | 381003253/0 | 25 | 2 | p. 13 | 381008129/0 | 1  | 1 | p. 45 |  |
| 322120189/0 | 10   | 1    | p. 25 | 381003253/0 | 25 | 2 | p. 15 | 381008129/0 | 1  | 1 | p. 47 |  |
| 322140223/0 | 6    | 1    | p. 35 | 381003297/1 | 11 | 1 | p. 17 | 381008609/0 | 14 | 1 | p. 25 |  |
| 322192156/0 | 13   | 1    | p. 9  | 381003330/0 | 10 | 1 | p. 17 | 381030055/0 | 4  | 1 | p. 17 |  |
| 322192156/0 | 13   | 2    | p. 11 | 381003344/0 | 3  | 1 | p. 13 | 381030092/1 | 10 | 1 | p. 19 |  |
| 322192156/0 | 29   | 1    | p. 13 | 381003344/0 | 3  | 1 | p. 15 | 381030092/1 | 10 | 1 | p. 21 |  |
| 322192156/0 | 29   | 1    | p. 15 | 381003349/0 | 2  | 1 | p. 13 | 381030093/1 | 15 | 1 | p. 13 |  |
| 322226143/0 | 5    | 1    | p. 7  | 381003349/0 | 2  | 1 | p. 15 | 381030097/0 | 15 | 1 | p. 15 |  |
| 322226144/0 | 5    | 1    | p. 7  | 381003351/0 | 14 | 1 | p. 3  | 381103350/0 | 14 | 2 | p. 9  |  |
| 322226151/0 | 5    | 1    | p. 7  | 381003398/0 | 3  | 1 | p. 3  | 381302835/1 | 31 | 1 | p. 3  |  |
| 322226153/0 | 5    | 1    | p. 7  | 381003472/0 | 3  | 1 | p. 13 | 381486008/0 | 6  | 1 | p. 49 |  |
| 322226155/0 | 5    | 1    | p. 7  | 381003472/0 | 3  | 1 | p. 15 | 381486008/0 | 6  | 1 | p. 51 |  |
| 322226157/0 | 15   | 1    | p. 7  | 381004536/0 | 1  | 1 | p. 3  | 381486009/0 | 7  | 1 | p. 47 |  |
| 322226165/0 | 13   | 1    | p. 7  | 381004538/0 | 1  | 1 | p. 3  | 381486009/0 | 10 | 1 | p. 45 |  |
| 322226167/0 | 12   | 1    | p. 7  | 381004562/0 | 1  | 1 | p. 3  | 381486012/0 | 6  | 1 | p. 49 |  |
| 322291150/0 | 1    | 1    | p. 35 | 381004731/0 | 1  | 1 | p. 3  | 381486012/0 | 6  | 1 | p. 51 |  |
| 322393638/0 | 7    | 1    | p. 7  | 381004741/0 | 1  | 1 | p. 3  | 381486030/0 | 6  | 1 | p. 49 |  |
| 322393639/0 | 7    | 1    | p. 7  | 381005133/0 | 2  | 1 | p. 11 | 381486030/0 | 6  | 1 | p. 51 |  |
| 322393640/0 | 7    | 1    | p. 7  | 381005135/0 | 3  | 1 | p. 11 | 381486031/0 | 7  | 1 | p. 47 |  |
| 322393642/0 | 16   | 1    | p. 7  | 381005149/0 | 2  | 1 | p. 9  | 381486031/0 | 10 | 1 | p. 45 |  |
| 322393657/0 | 6    | 1    | p. 47 | 381005149/0 | 4  | 1 | p. 13 | 422120152/0 | 15 | 1 | p. 25 |  |
| 322393657/0 | 9    | 1    | p. 45 | 381005149/0 | 4  | 1 | p. 15 | 422120154/0 | 15 | 1 | p. 25 |  |
| 322393721/0 | 6    | 1    | p. 47 | 381005151/0 | 3  | 1 | p. 9  | 422120158/0 | 15 | 1 | p. 25 |  |
| 322393721/0 | 9    | 1    | p. 45 | 381005151/0 | 5  | 1 | p. 13 | 481007160/0 | 1  | 1 | p. 25 |  |
| 322394503/0 | 6    | 1    | p. 3  | 381005151/0 | 5  | 1 | p. 15 |             |    |   |       |  |
| 322394522/0 | 20   | 1    | p. 3  | 381005185/0 | 2  | 1 | p. 9  |             |    |   |       |  |
| 322399804/1 | 6    | 4    | p. 11 | 381005185/0 | 4  | 1 | p. 13 |             |    |   |       |  |
| 322399835/0 | 7    | 4    | p. 9  | 381005185/0 | 4  | 1 | p. 15 |             |    |   |       |  |
| 322399835/0 | 24   | 2    | p. 13 | 381005187/0 | 3  | 1 | p. 9  |             |    |   |       |  |
| 322399835/0 | 24   | 2    | p. 15 | 381005187/0 | 5  | 1 | p. 13 |             |    |   |       |  |
| 322486150/1 | 11   | 1    | p. 51 | 381005187/0 | 5  | 1 | p. 15 |             |    |   |       |  |
| 322486151/1 | 12   | 1    | p. 51 | 381006670/2 | 1  | 1 | p. 13 |             |    |   |       |  |
| 322486305/0 | 9    | 1    | p. 47 | 381006670/2 | 1  | 1 | p. 15 |             |    |   |       |  |
| 322486306/0 | 8    | 1    | p. 47 | 381006719/0 | 1  | 1 | p. 9  |             |    |   |       |  |
| 322488301/0 | 21   | 1    | p. 13 | 381006720/0 | 1  | 1 | p. 9  |             |    |   |       |  |
| 322488301/0 | 21   | 1    | p. 15 | 381006773/1 | 7  | 2 | p. 13 |             |    |   |       |  |
| 322488303/0 | 22   | 1    | p. 13 | 381006773/1 | 7  | 2 | p. 15 |             |    |   |       |  |
| 322488303/0 | 22   | 1    | p. 15 | 381006774/1 | 7  | 2 | p. 13 |             |    |   |       |  |
|             |      |      |       | 381006774/1 | 7  | 2 | p. 15 |             |    |   |       |  |
|             |      |      |       | 381006803/0 | 1  | 1 | p. 17 |             |    |   |       |  |